

MINISTRY OF EDUCATION  
DEPARTMENT OF CONSTRUCTION



STANDARD SCHOOL DESIGN  
IN AFGHANISTAN

CHECKED BY	AM.FENQZ TAJIRI	APPROVED BY	AS SHOWN LIST
TECH. APPROVED BY	ENG.AB.MATIN MASHI	DATE	25.1.2008

4

PROJECT NAME  
DRAWING TITLE

8 CLASS ROOM MUD WALL WOODEN BEAM ROOF.  
LONG SECTION



MINISTRY OF EDUCATION  
DEPARTMENT OF CONSTRUCTION

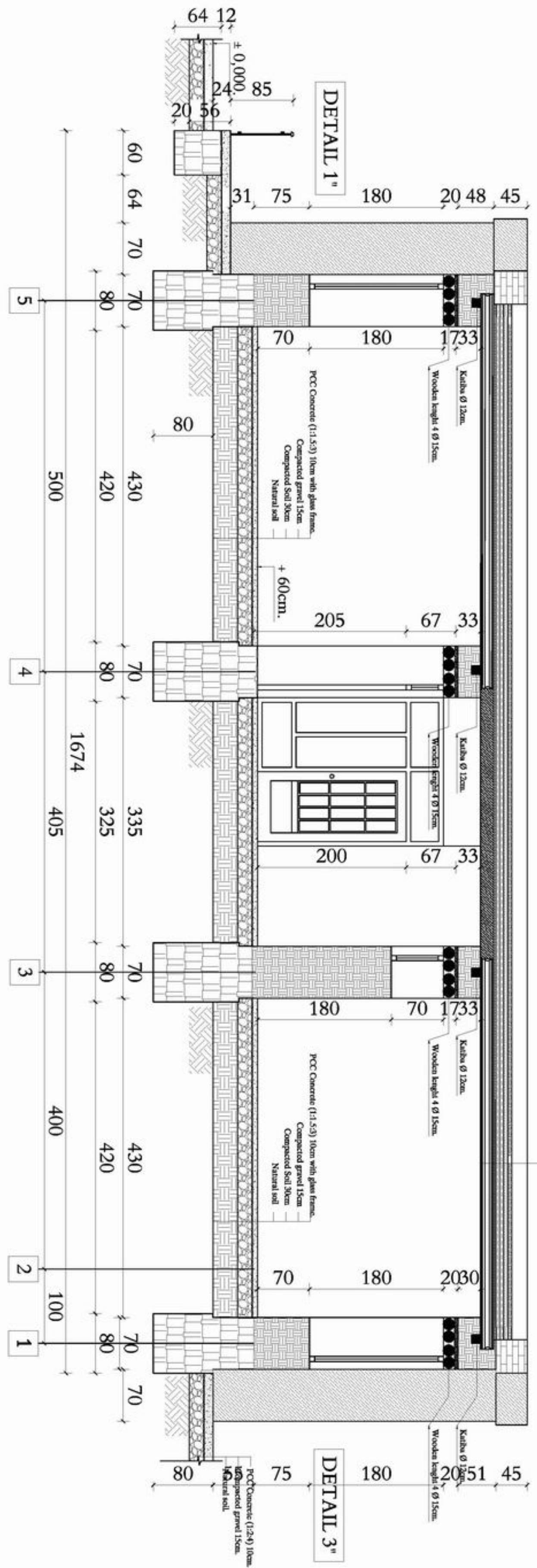


STANDARD SCHOOL DESIGN  
IN AFGHANISTAN

DESIGNED BY	AM. FERIZ TAJIKI	APPROVED BY	
CHECKED BY	ENR. AHMADZAI	SCALE	AS SHOWN UNLESS NOTED
TITLE APPROVED BY	ENR. AHMADZAI	DATE	20.5.2008
SHEET NO.			

PROJECT NAME: 8 CLASS ROOM MUD WALL WOODEN BEAM ROOF.  
DRAWING TITLE: SHORT SECTION

**SECTION B-B**



- Tow layer mud plaster 2.5x2.5 cm.
- Plastic sheet.
- Soil 6cm.
- Mud clay 10cm.
- Thatch mat
- wooden board 3cm for shuttering.
- Wooden beam 5m, Ø18 c/c 33cm.

DETAIL 1"

DETAIL 3"



MINISTRY OF EDUCATION  
DEPARTMENT OF CONSTRUCTION



STANDARD SCHOOL DESIGN  
IN AFRICANISTAN

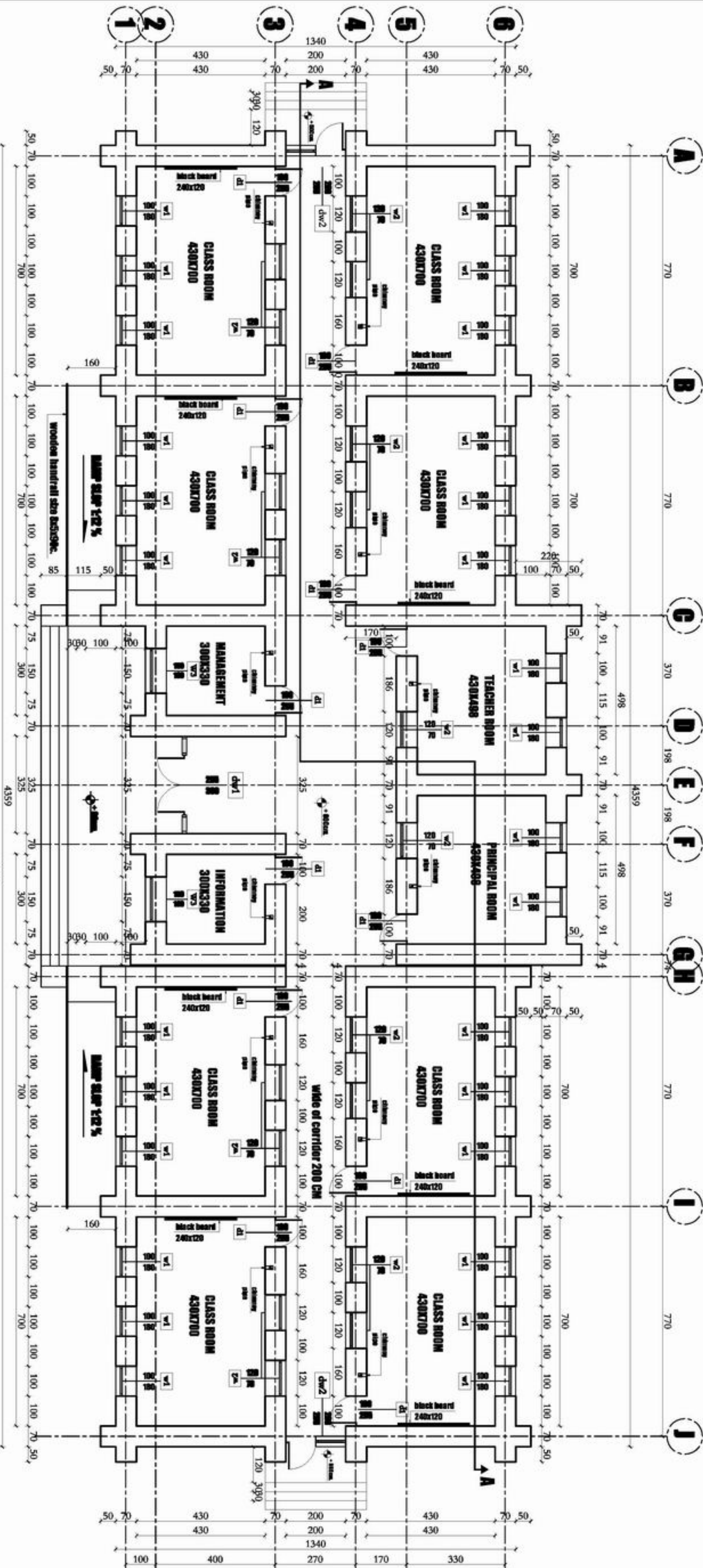
DESIGNED BY	APPROVED BY/DATE	DATE
CHECKED BY	SCALE	25.1.2008
TRIP - APPROVED BY	DATE	

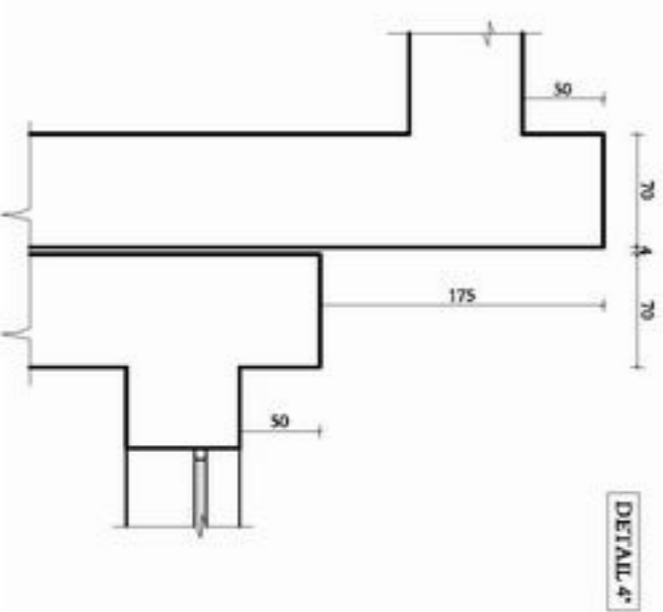
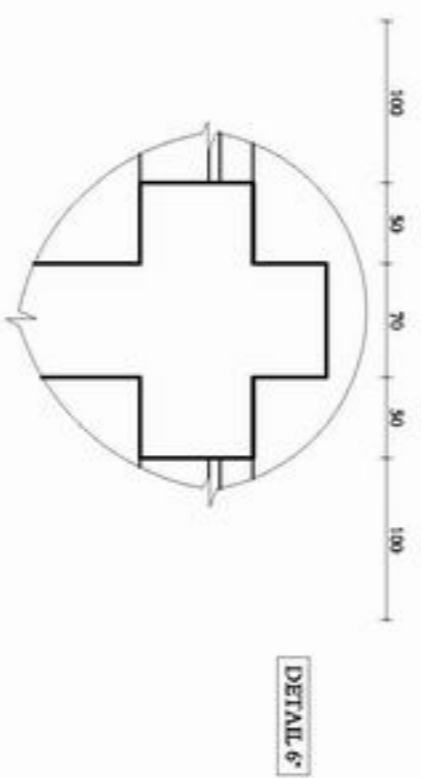
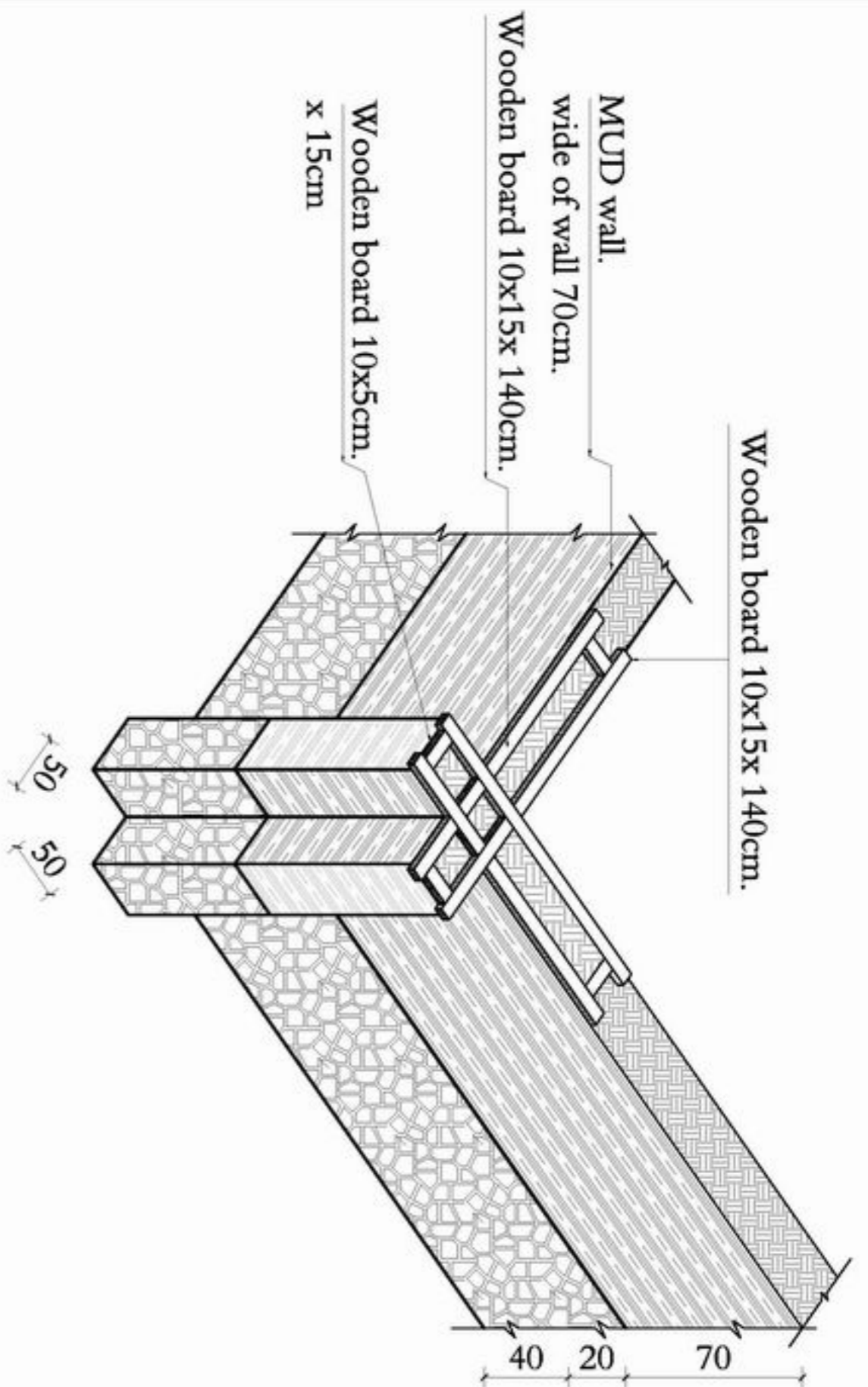
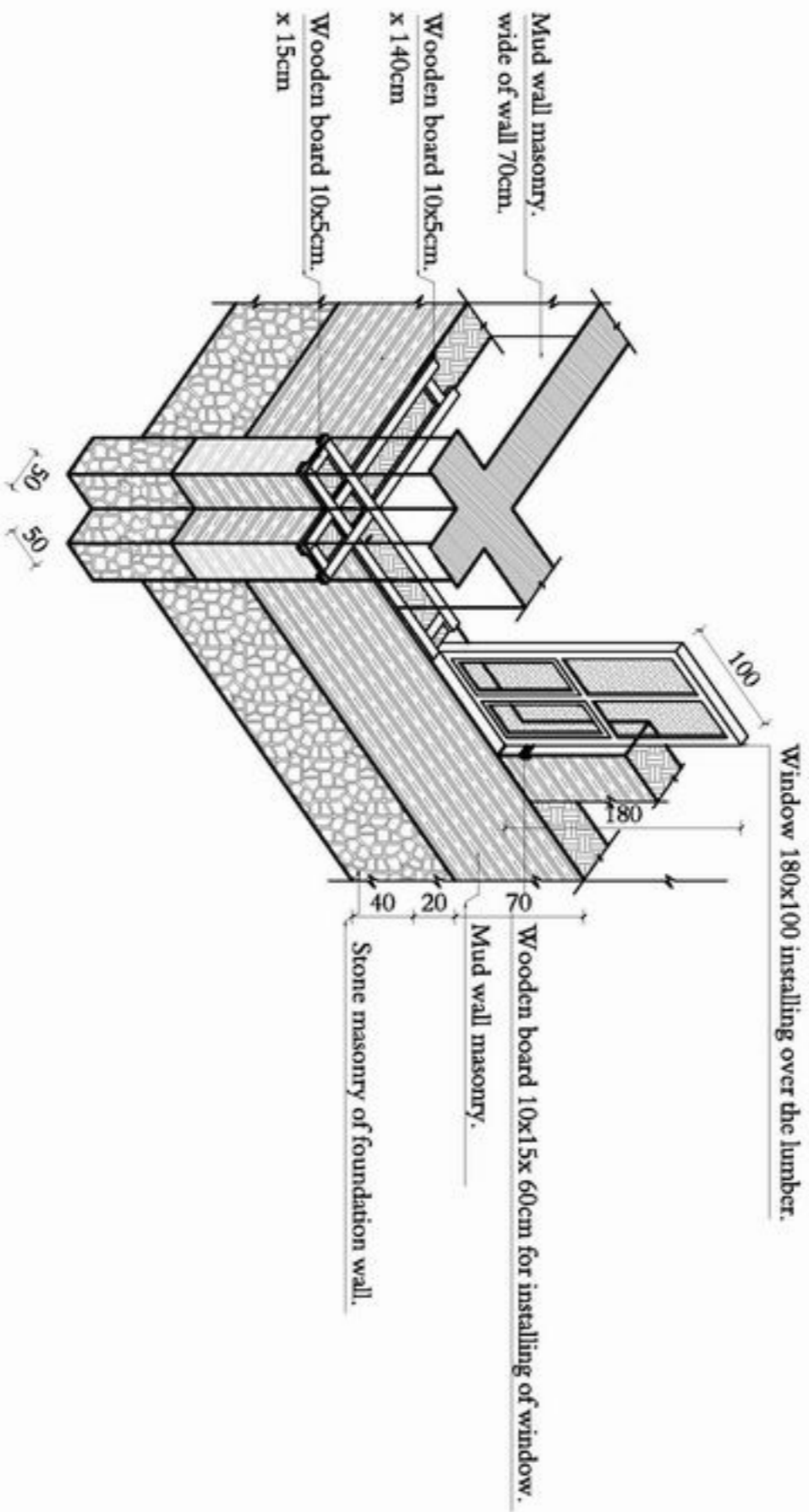
1

PROJECT NAME  
DRAWING TITLE

8 CLASS ROOM NUB WALL WOODEN BEAM ROOF.  
GROUND FLOOR PLAN

GROUND FLOOR PLAN





MINISTRY OF EDUCATION  
DEPARTMENT OF CONSTRUCTION



STANDARD SCHOOL DESIGN  
IN AFRICANISTIA

DESIGNED BY: ALI FERHIZ TAJIBI  
CHECKED BY: ENR. ENR. ENR.  
TYPED-APPROVED BY: ENR. ENR. ENR.

APPROVED BY: ENR. ENR. ENR.  
SCALE: AS SHOWN (X1)  
DATE: 25/1/2008

NUMBER: 1  
SHEET NO.

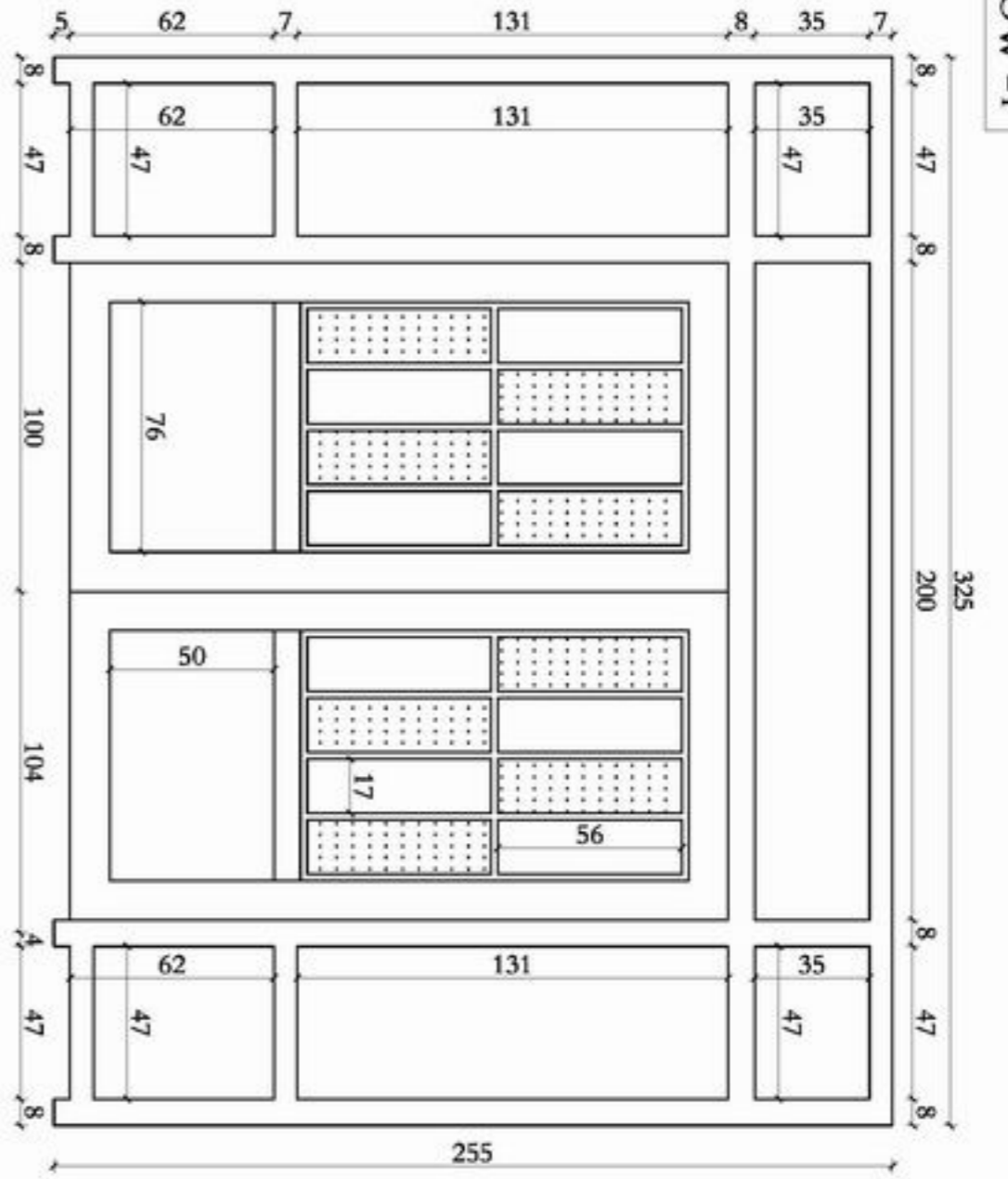
1

PROJECT NAME  
DRAWING TITLE

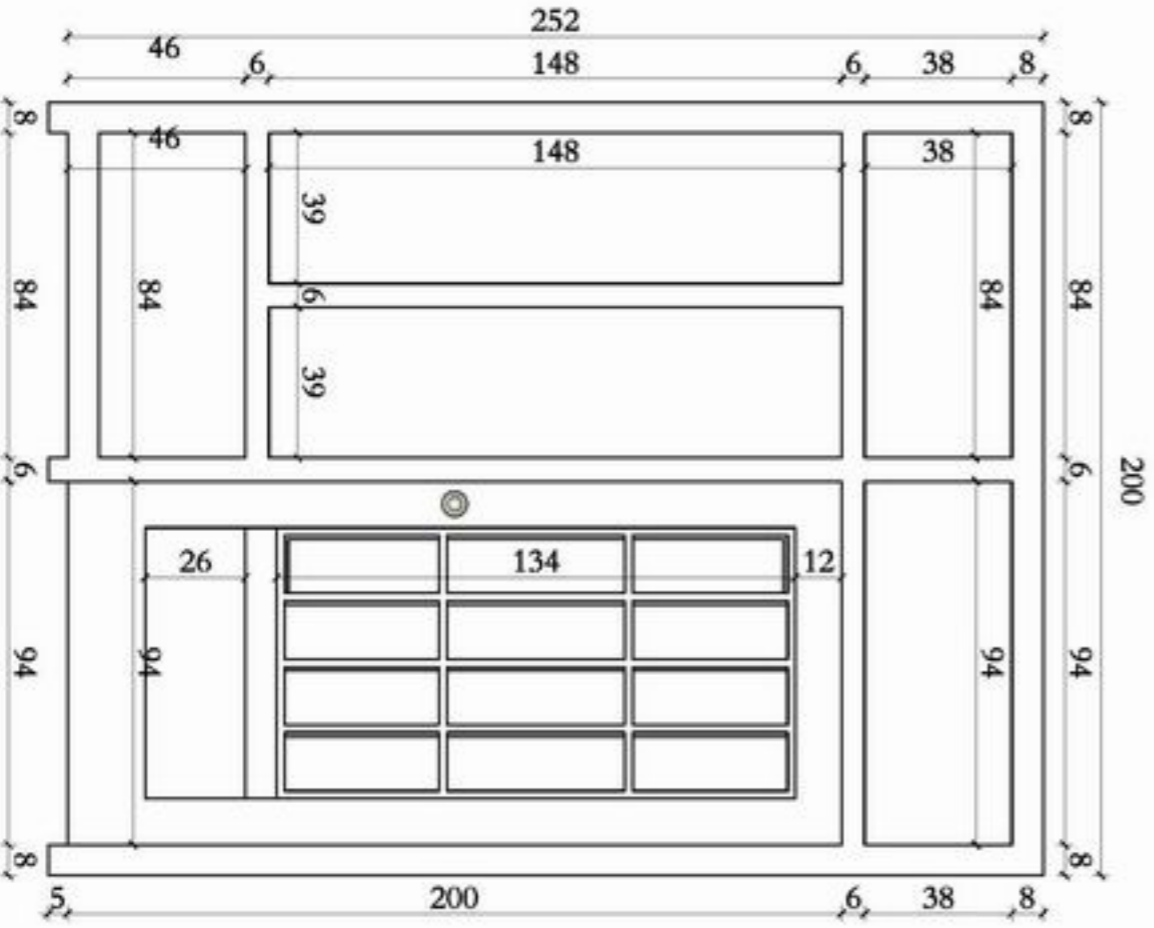
8 CLASS ROOM MUD WALL WOODEN BEAM ROOF.  
DETAIL



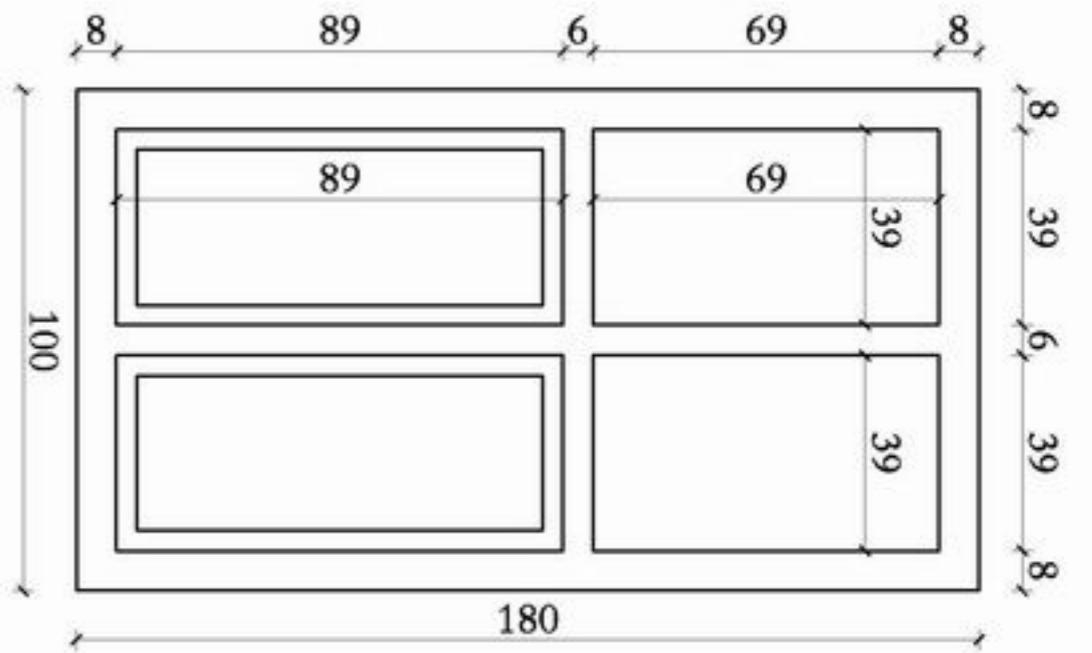
DOOR WINDOW -1



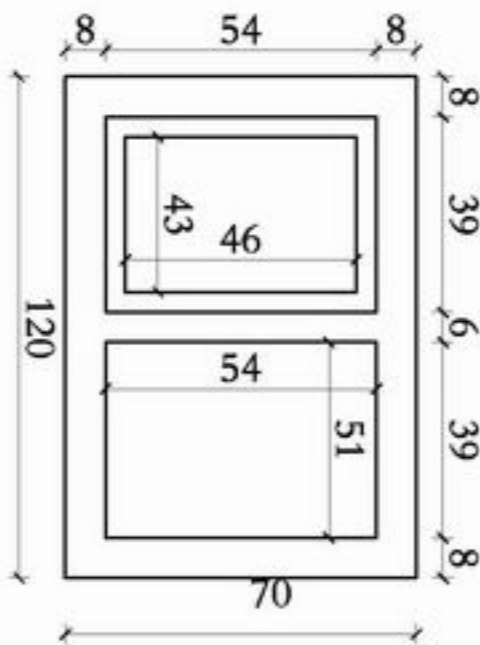
DOOR WINDOW -2



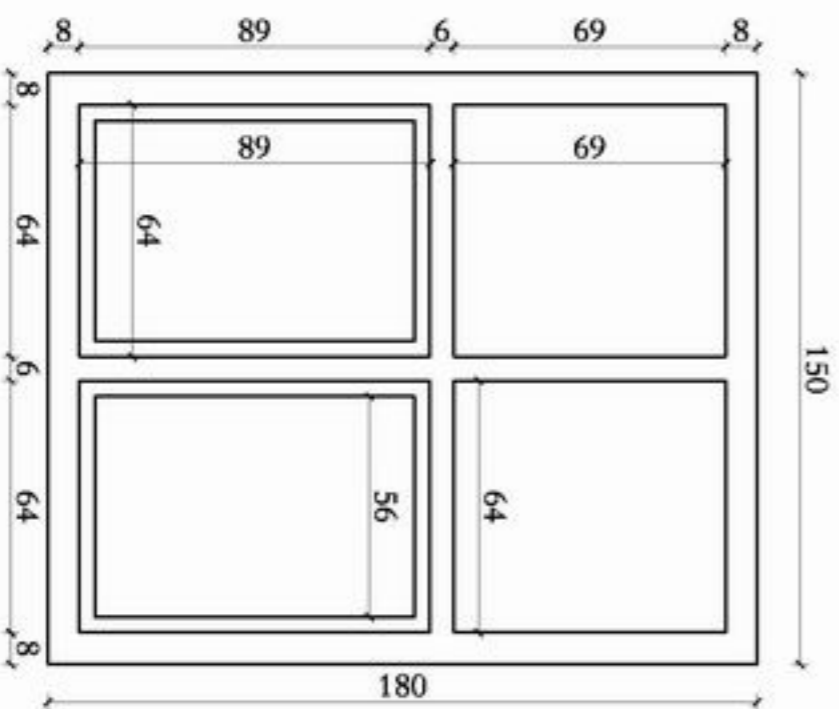
WINDOW -32



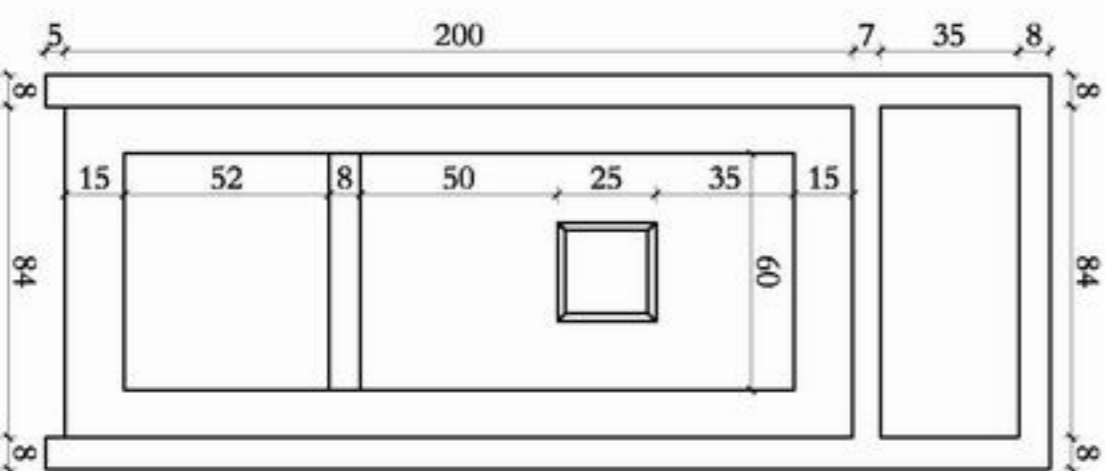
WINDOW 2 N-18



WINDOW-2



DOOR -12



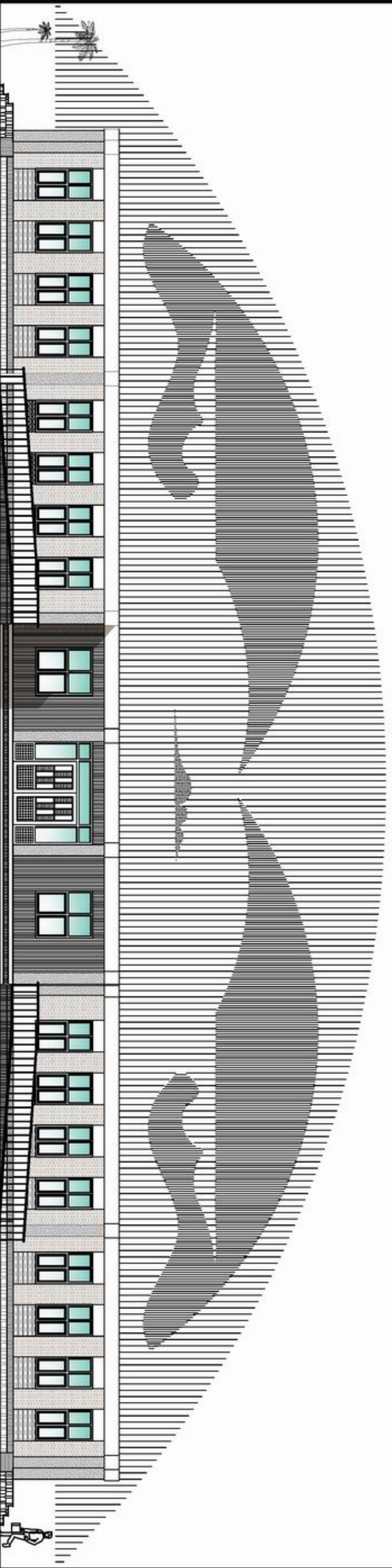
MINISTRY OF EDUCATION  
DEPARTMENT OF CONSTRUCTION

STANDARD SCHOOL DESIGN  
IN AFGHANISTAN

DESIGNED BY	ALFERRAZ TAHIRI	APPROVED BY/DATE	ENR. MOJIB TARIK / 2008	DRAWING No.
CHECKED BY	ENR. ANJUMAT	SCALE	AS SHOWN (1:20)	SHEET No.
TITLE APPROVED BY	ENR. ALAMUDDIN MOHAMMAD	DATE	24.12.2008	

PROJECT NAME  
DRAWING TITLE

8 CLASS ROOM MUD WALL WOODEN BEAM ROOF.  
DETAIL'S FROM WINDOW & DOOR.



**FRONT ELEVATION**



**MINISTRY OF EDUCATION  
DEPARTMENT OF CONSTRUCTION**

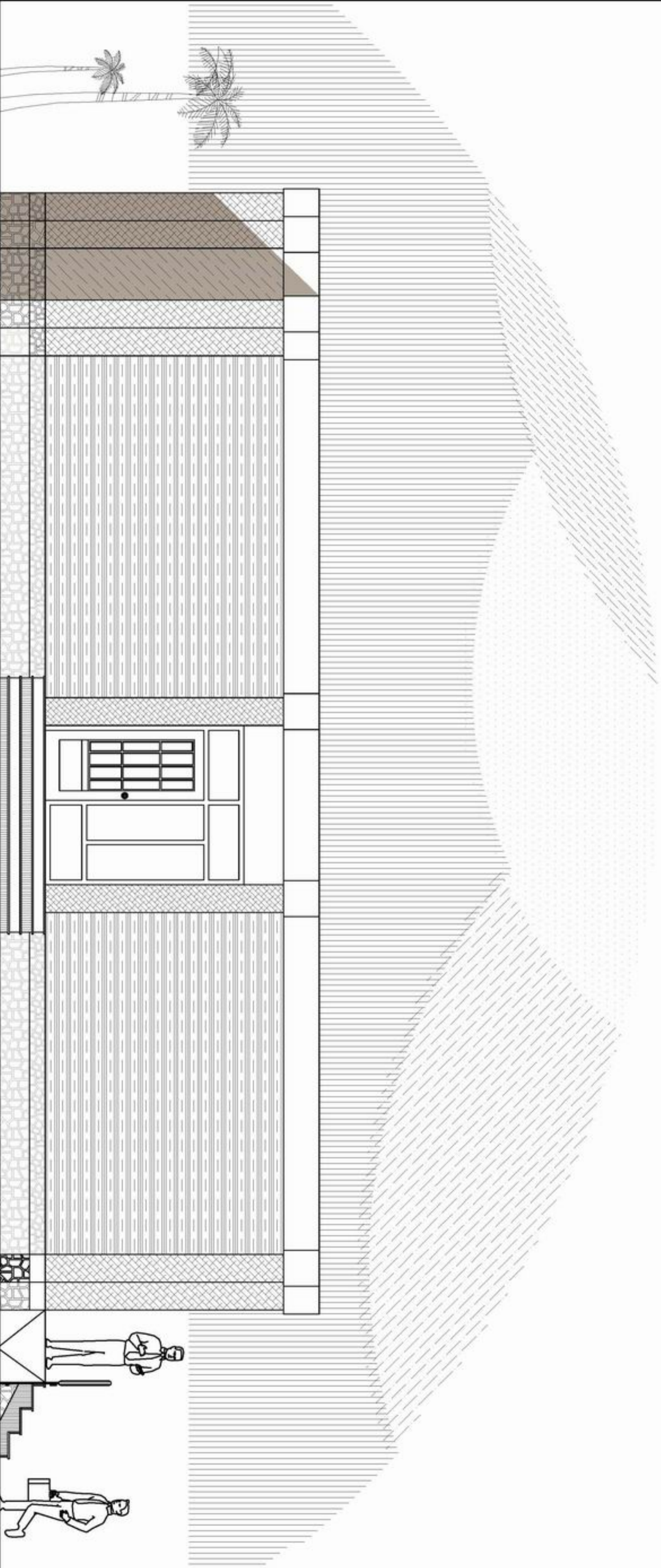


**STANDARD SCHOOL DESIGN  
IN AFGHANISTAN**

DESIGNED BY	AN FERAZ TAHIRI	APPROVED BY	
CHECKED BY	ENG. SA. MUKHTAR	SCALE	AS SHOWN (A3)
TITLE APPLIED BY	ENG. SA. MUKHTAR	DATE	25.12.2008
REVISION NO.		SHEET NO.	1

1

<b>PROJECT NAME</b>	<b>8 CLASS ROOM MUD WALL WOODEN BEAM ROOF.</b>
<b>DRAWING TITLE</b>	<b>FRONT ELEVATION</b>



**SIDE ELEVATION**



**MINISTRY OF EDUCATION  
DEPARTMENT OF CONSTRUCTION**



**STANDARD SCHOOL PROGRAM  
IN AFGHANISTAN**

DESIGNED BY	ALFENGAZ TAJIKI	APPROVED BY	DR. ABUL KALAM AZHAR
CHECKED BY	ENR. EN. JAWAD	SCALE	AS SHOWN (X2)
TITLE APPROVED BY	ENR. DR. NURIN NAJIB	DATE	25.12.2008
		SHEET NO.	1



**PROJECT NAME  
DRAWING TITLE**

**8 CLASS ROOM MUD WALL WOODEN BEAM ROOF.  
SIDE ELEVATION**

