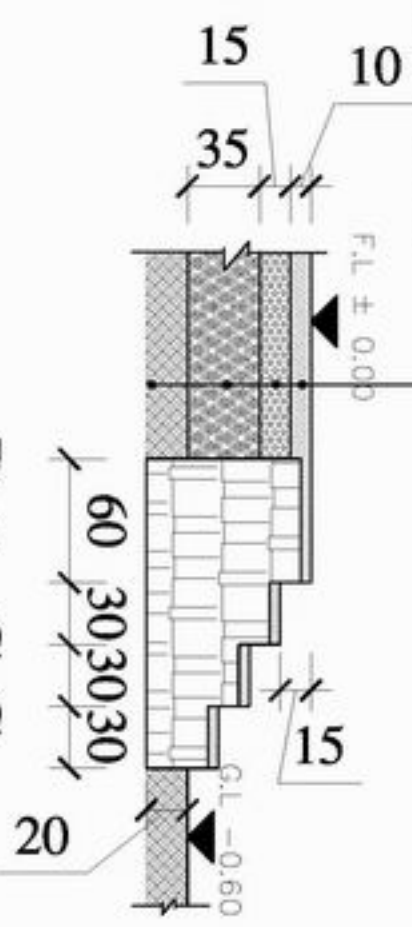


# Details

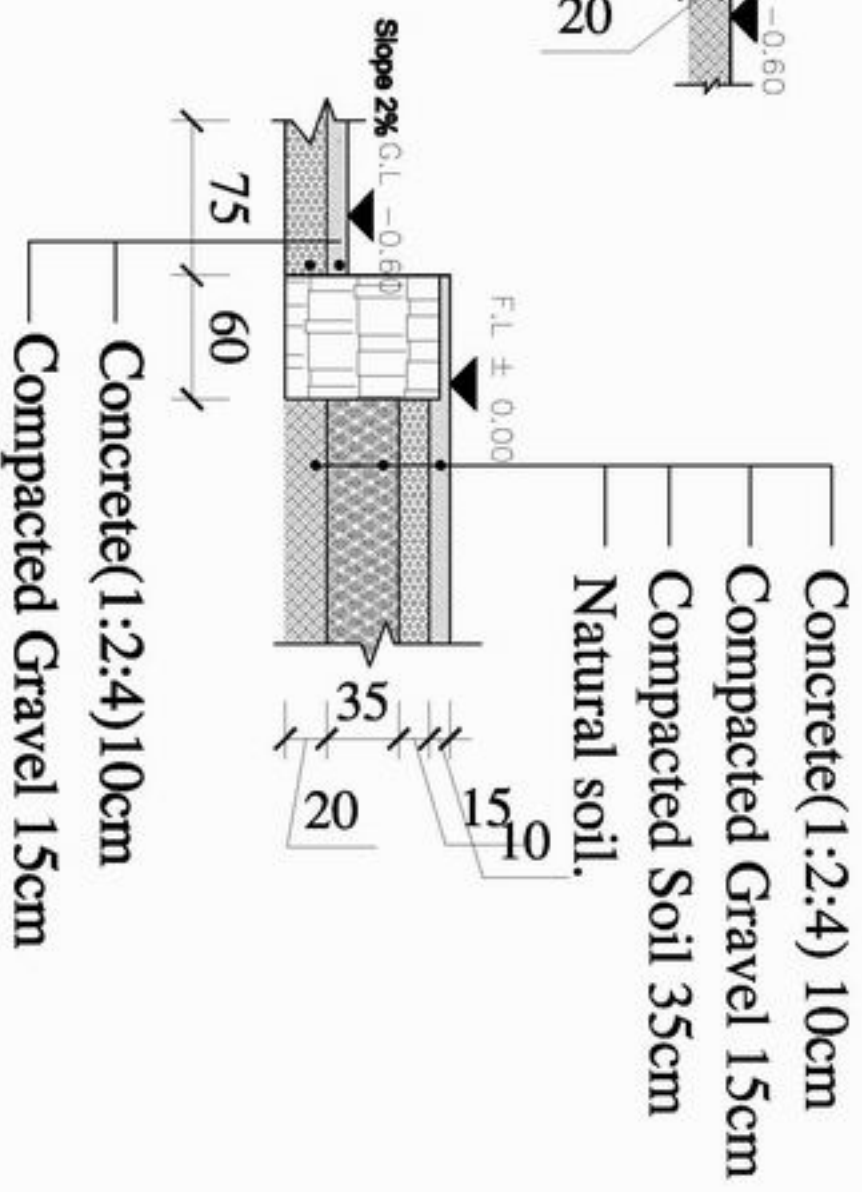
Det - A-A

Det - d-c

Concrete(1:2:4) 10cm  
 Compacted Gravel 15cm  
 Compacted Soil 35cm  
 Natural soil.



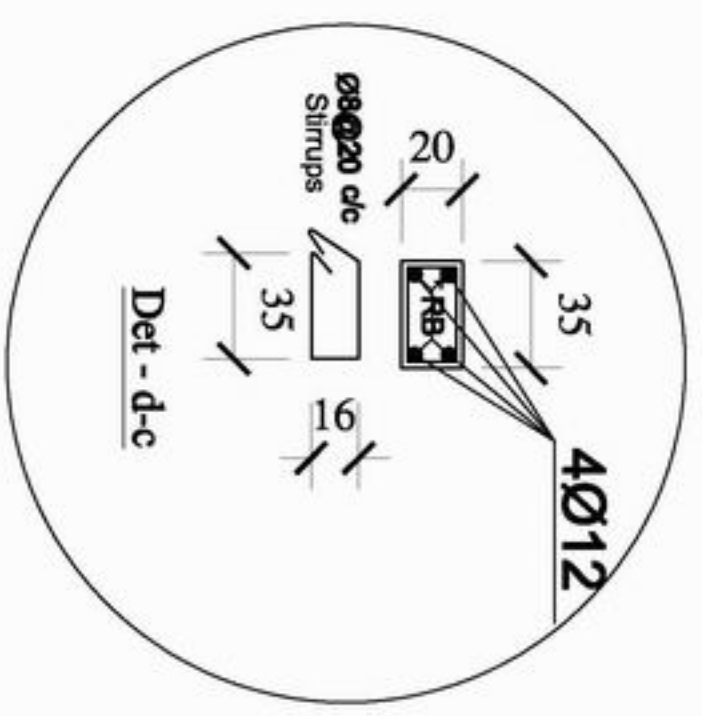
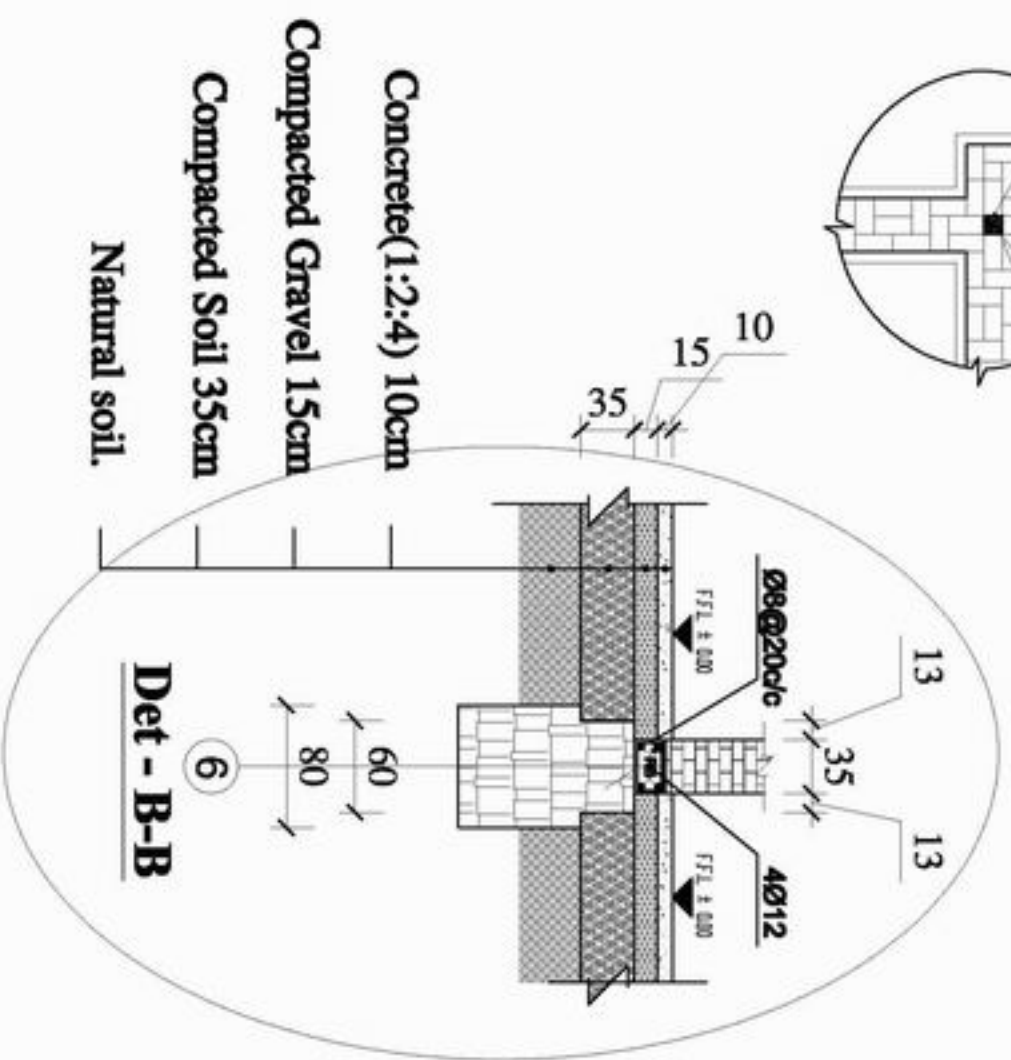
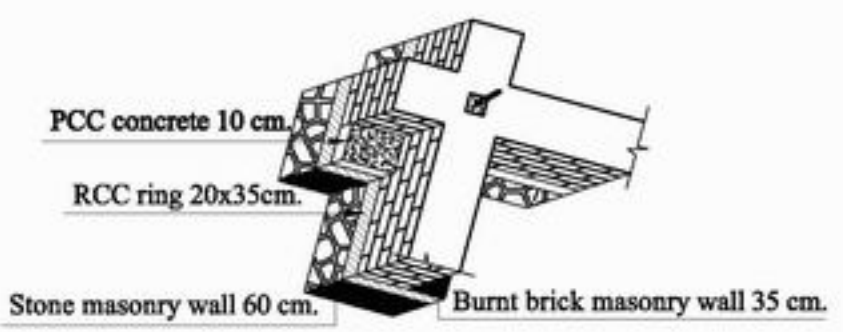
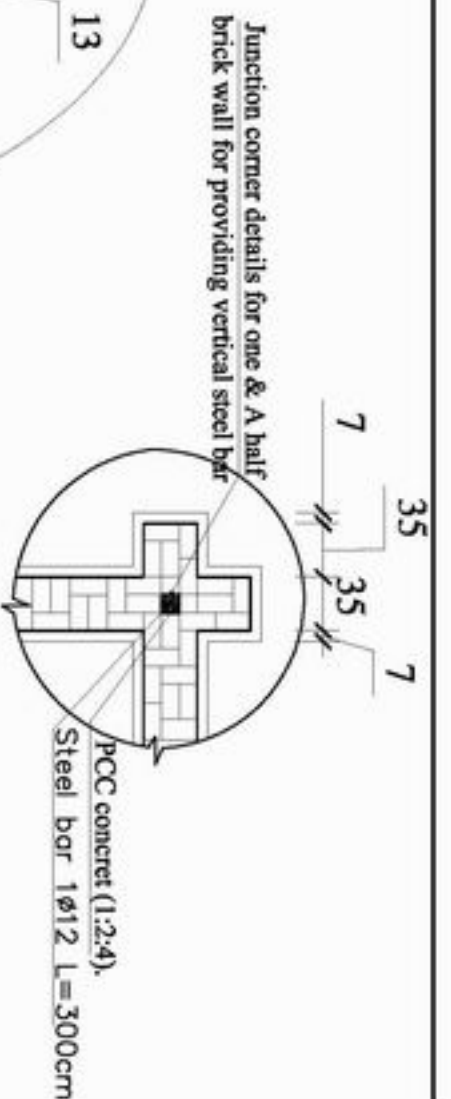
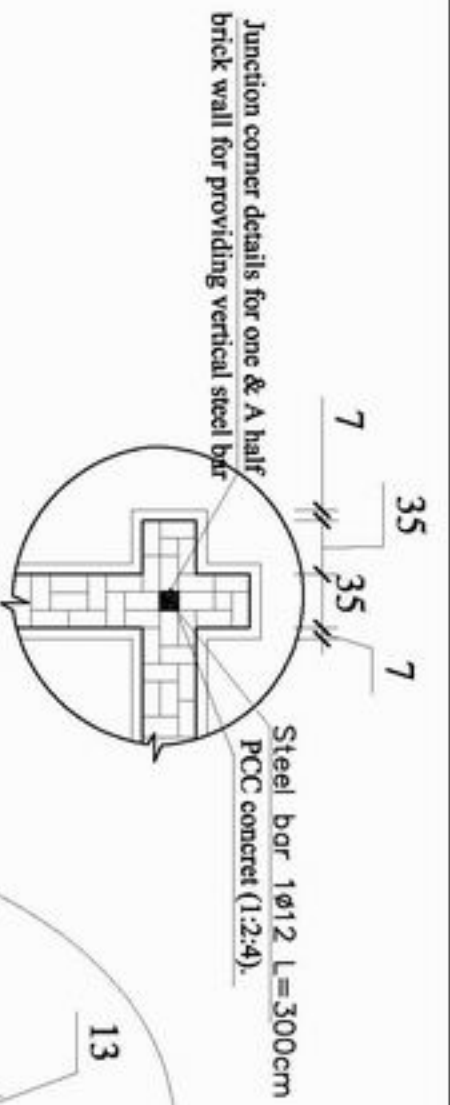
**Det - C-C**



**Det - D-D**

# Details

APPROVED BY	DESIGNED BY	CHECKED BY	DATE

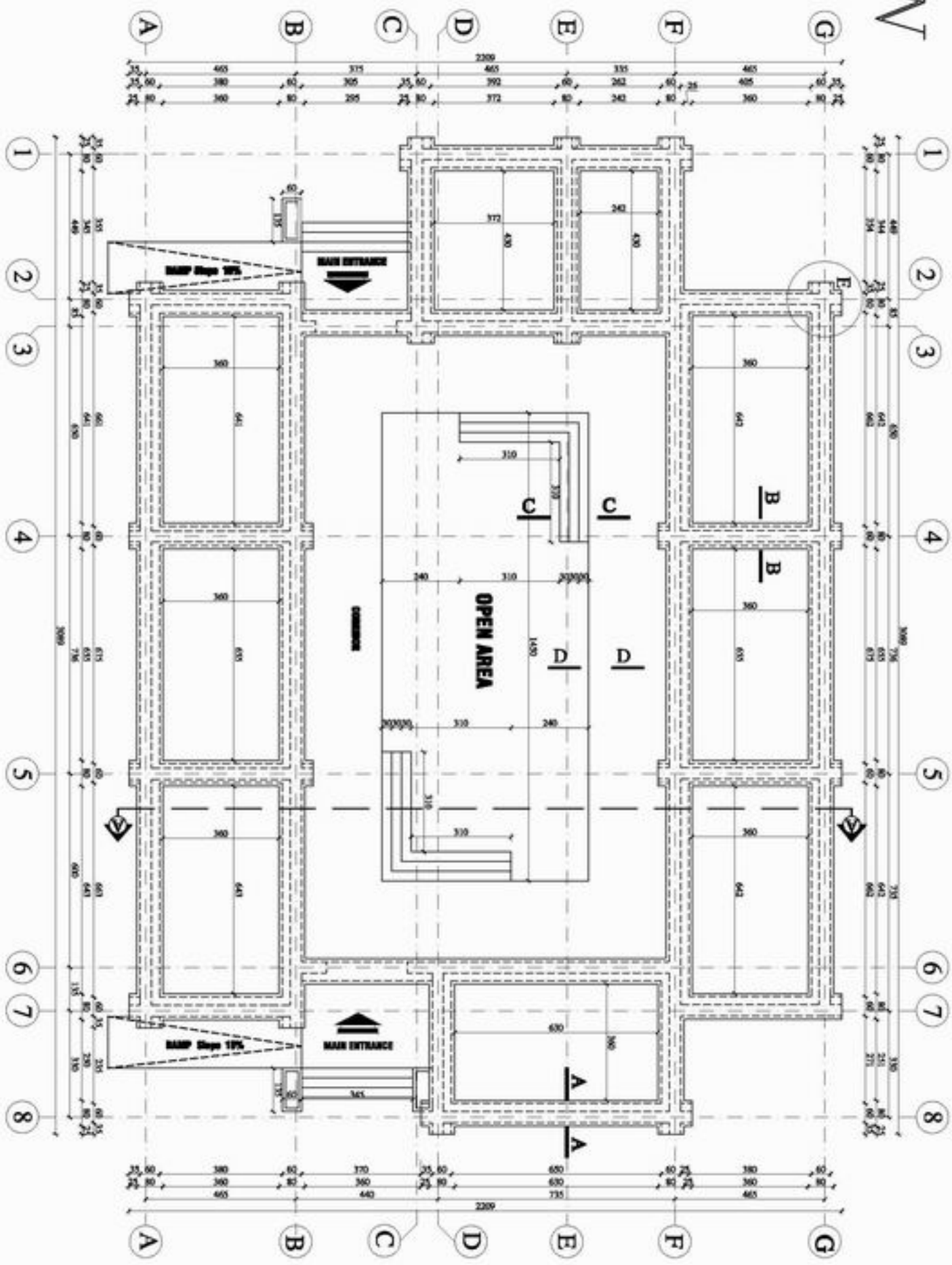


# Details

## Detail E

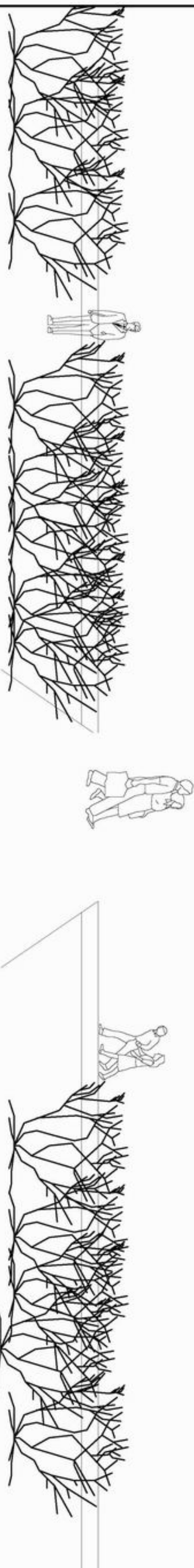
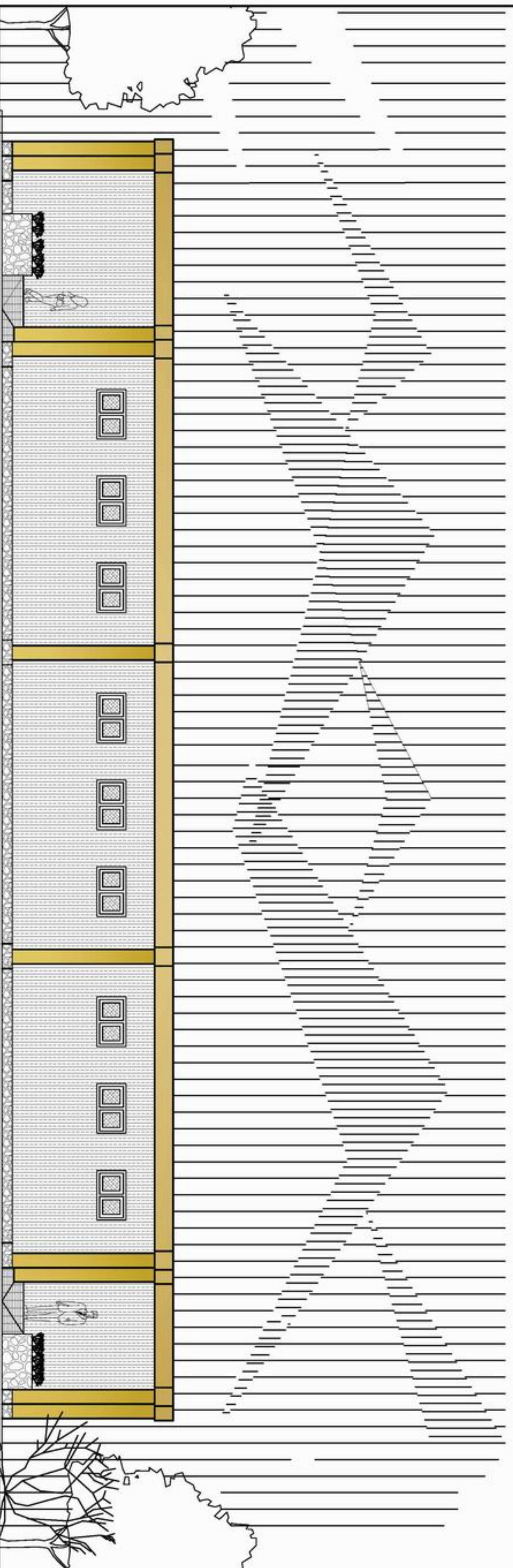






Foundation Plan

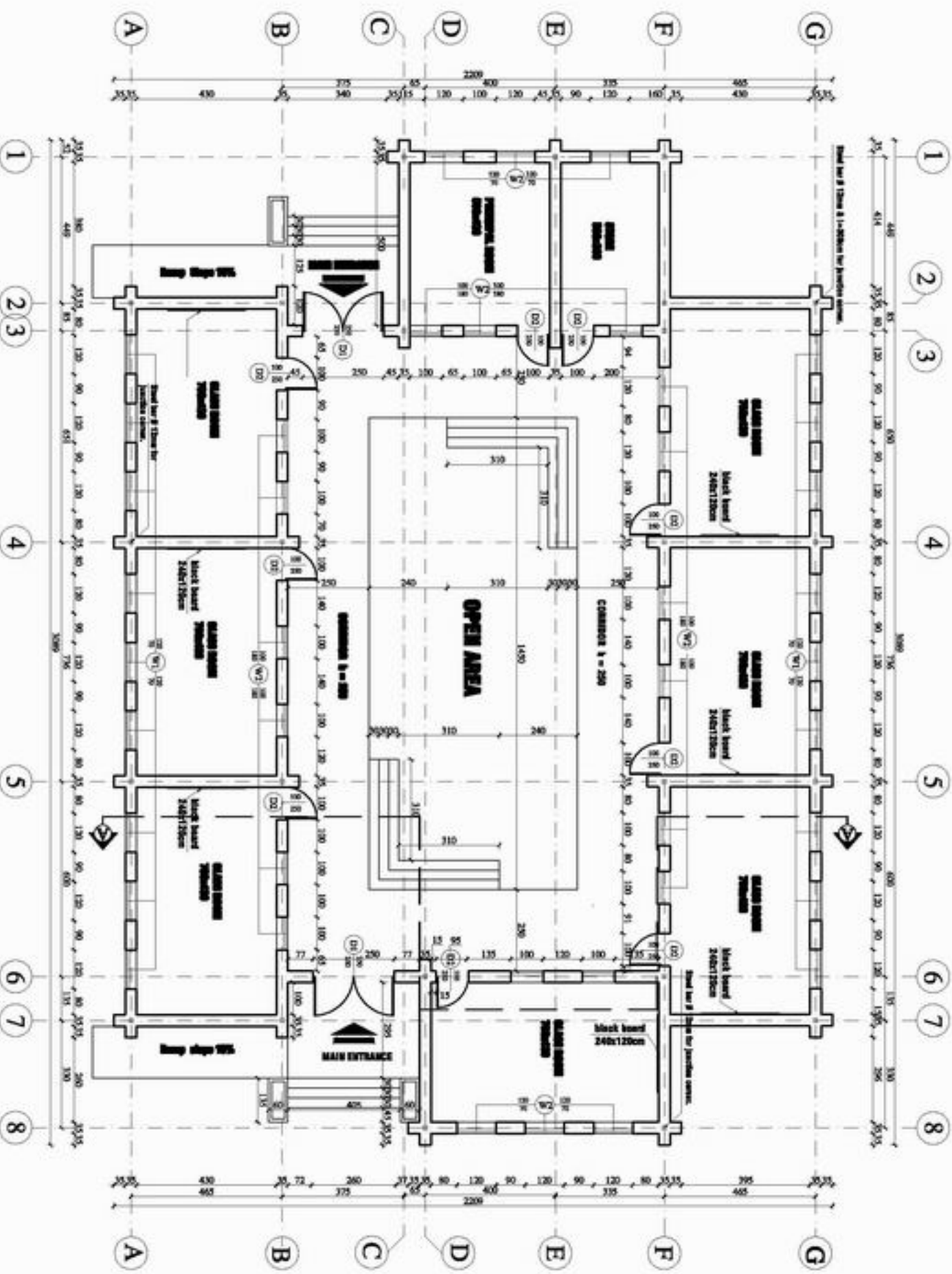
APPROVED BY	DESIGNED BY	CHECKED BY	DATE



# Front Elevation

*Burns-Bickel*  
Structures

 <b>MINISTRY OF EDUCATION</b> DEPARTMENT OF CONSTRUCTION	 <b>STANDARD SCHOOL DESIGN</b> IN AFGHANISTAN	APPROVED BY: _____ CHECKED BY: _____ DATE APPROVED BY: _____	DESIGNER/ARCHITECT: _____ ENGINEER/ARCHITECT: _____ SCALE: _____ DATE: _____	CONSULTANT/ENGINEER: _____ AS BUILT (A/B): _____ YEAR: _____	DRAWING NO.: _____ SHEET NO.: _____	<b>PROJECT NAME</b> 7 CLASS ROOM BUILT BRICK WALL, ARCH ROOF.
		 <b>DRAWING TITLE</b> FRONT ELEVATION				



Ground floor plan

MINISTRY OF EDUCATION  
DEPARTMENT OF CONSTRUCTION

STANDARD SCHOOL DESIGN  
IN AFGHANISTAN

CONSTRUCTION	FOUNDATION	WALLS/FLOORS	ROOFING	MECHANICAL/ELECTRICAL	PAINTING
CONCRETE	MASONRY	BRICK	ASBESTOS	ASBESTOS	PAINT
WATER-PROOFING	WATER-PROOFING	WATER	WATER	WATER	WATER

PROJECT NAME  
DRAWING TITLE

7 CLASS ROOM BRIGHT BRICK WALL ARCH ROOM.  
GROUND FLOOR PLAN

Shah-Bekir  
Architect

