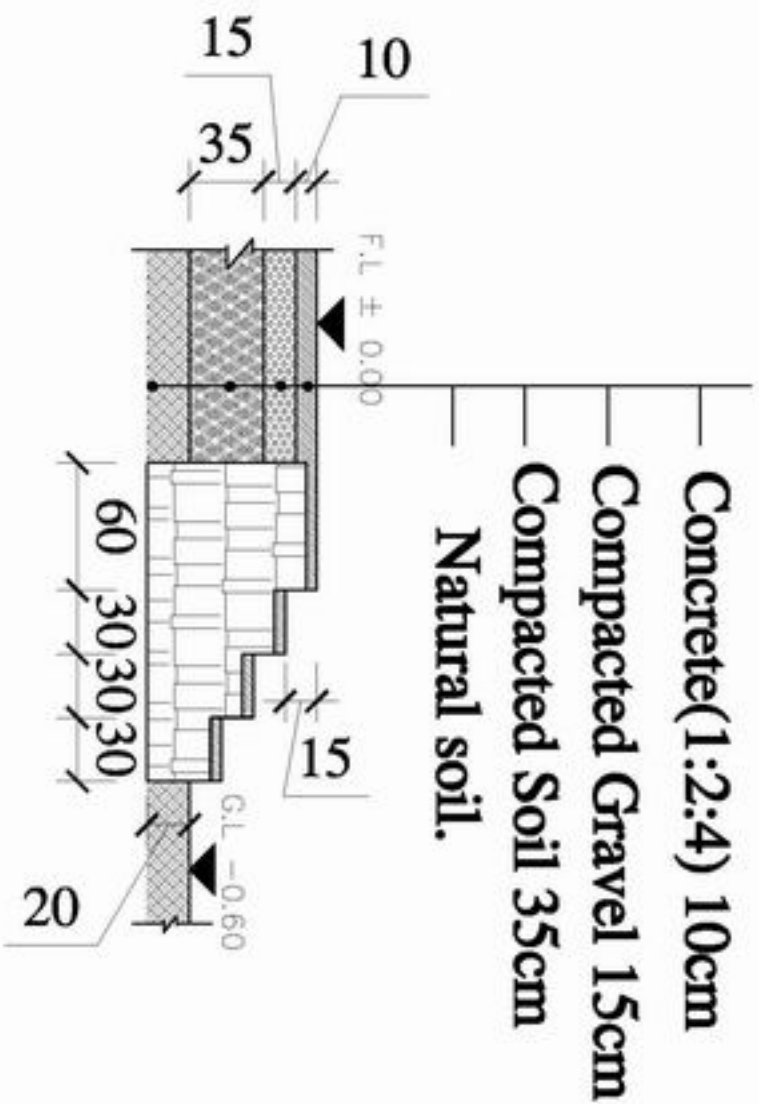


Details

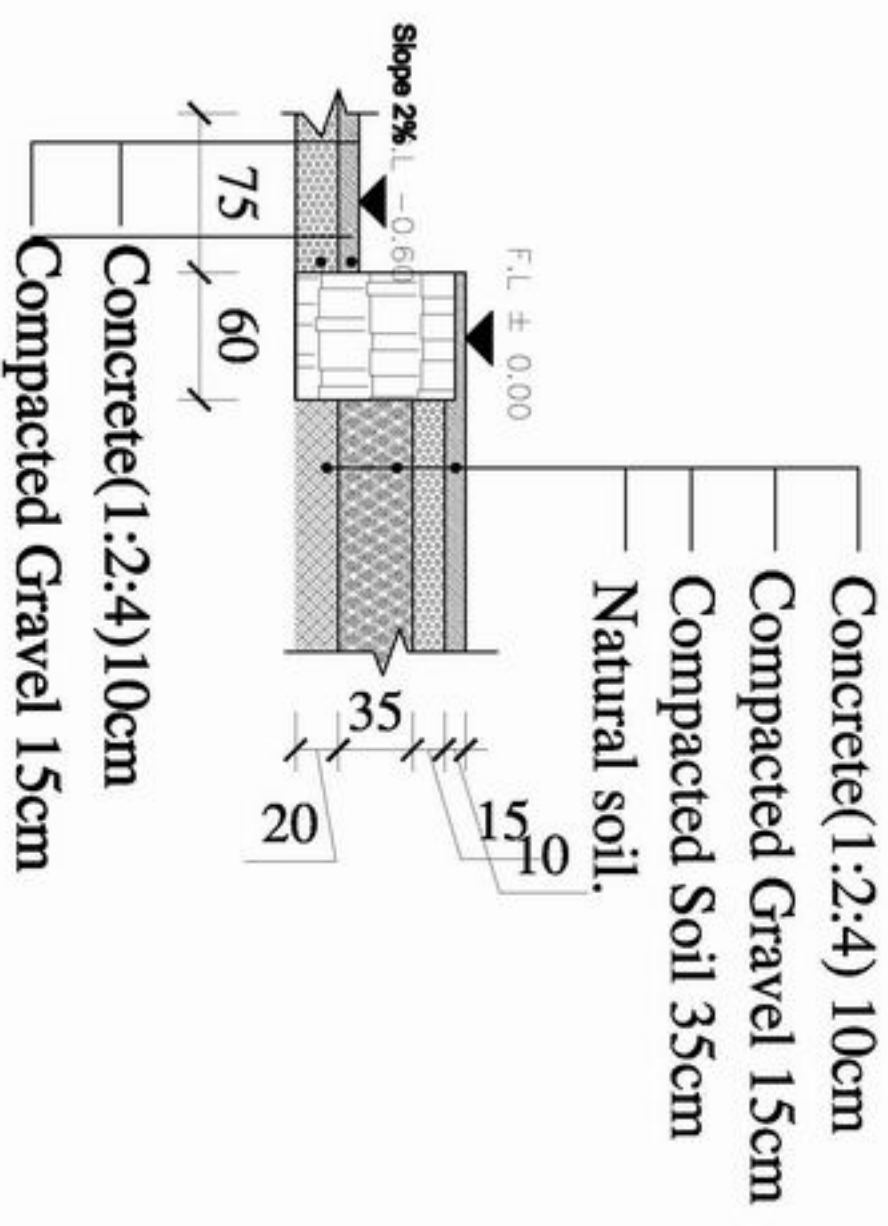
Section A-A

Stone-Masonry
Structure

DESIGNED BY	CHECKED BY	DATE



Det - C-C

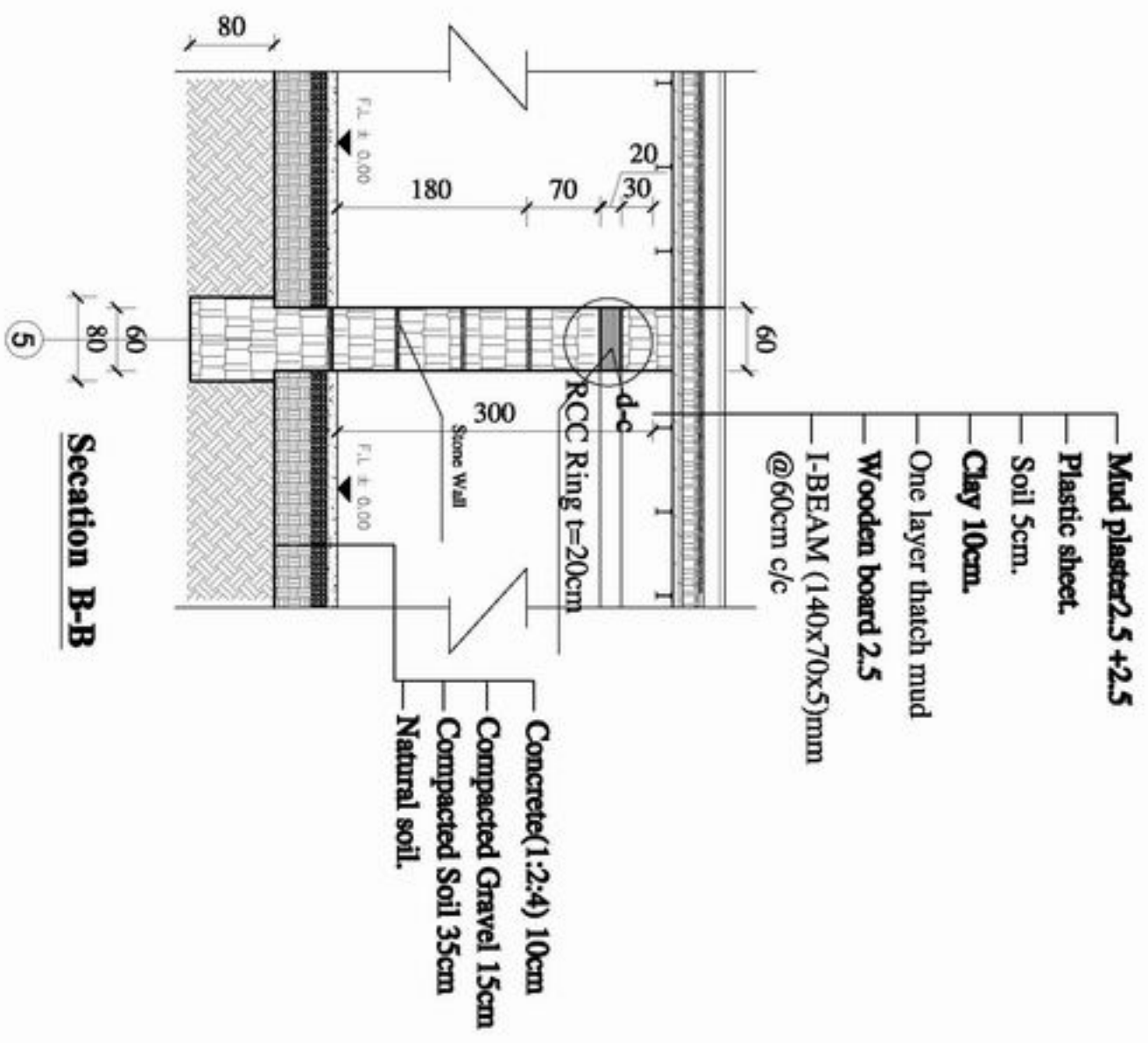
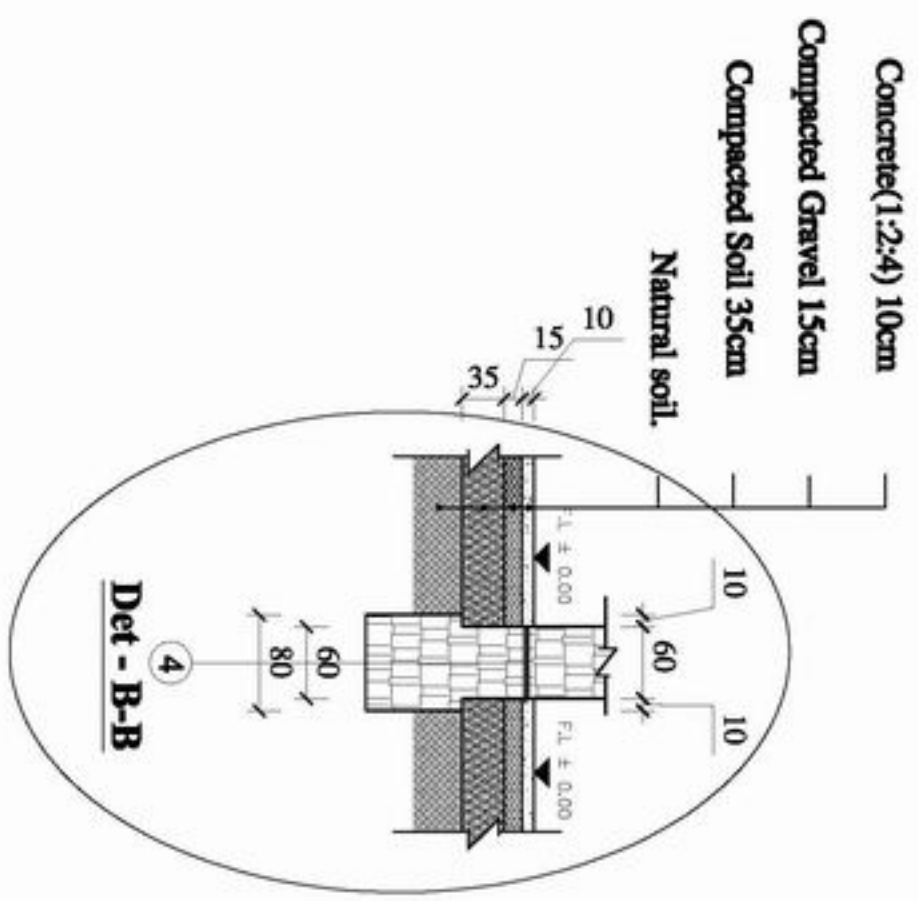


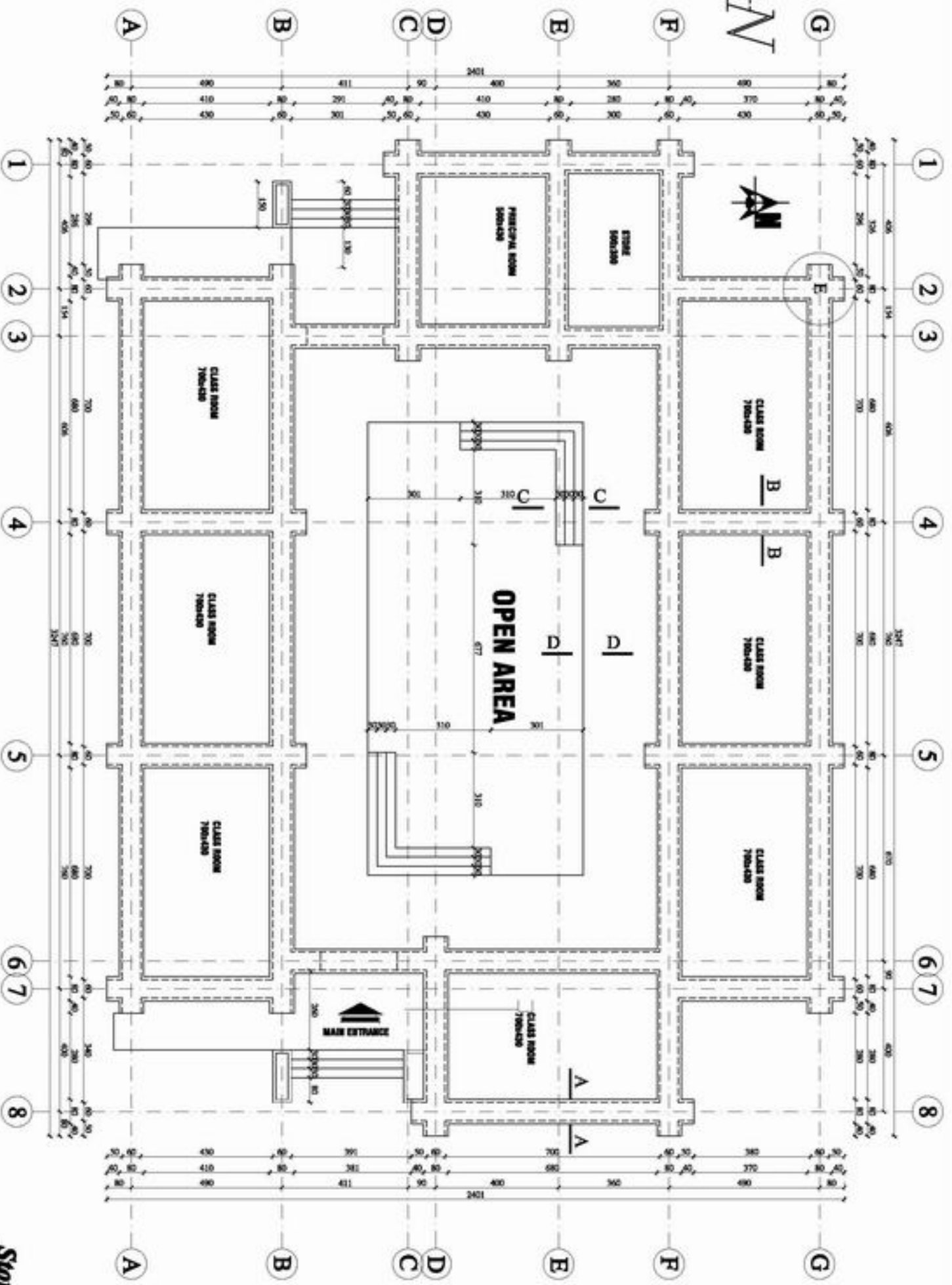
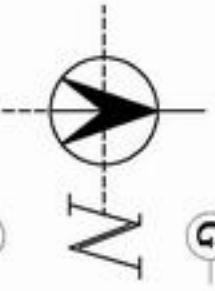
Det - D-D

Details

*Stone-Masonry
Structure*

Details





FOUNDATION PLAN

**Stone-Masonry
Structure**

MINISTRY OF EDUCATION
DEPARTMENT OF CONSTRUCTION

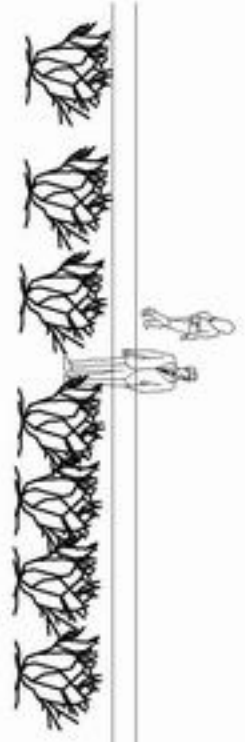
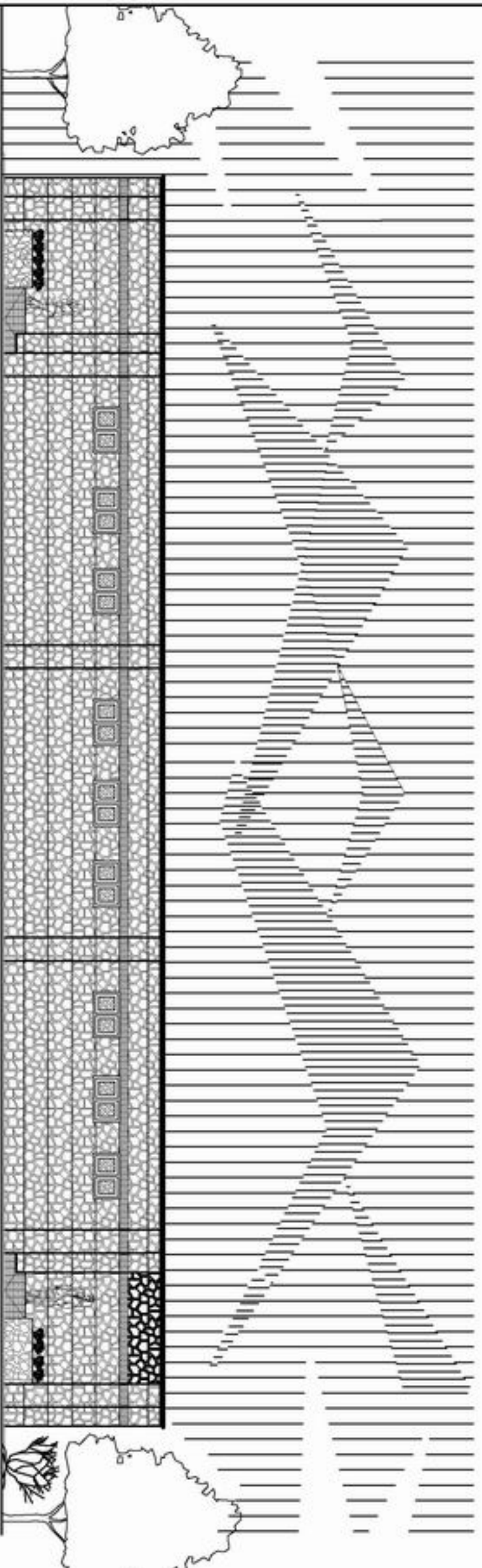
STANDARD SCHOOL DESIGN
IN AFGHANISTAN

DESIGNED BY	COLLECTED BY	APPROVED BY	DATE

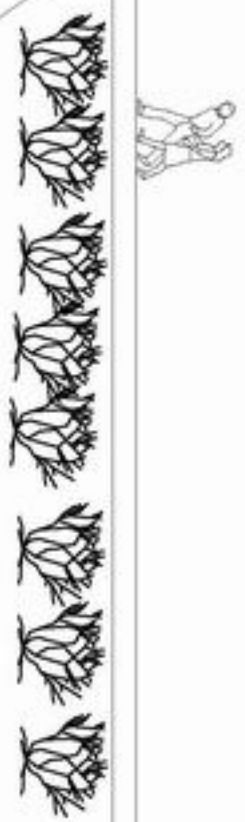
1

PROJECT NAME
DRAWING TITLE

7 CLASS ROOM STONE MASONRY WALL 1-BEAM ROOM
FOUNDATION PLAN



Front Elevation



**Stone-Masonry
Structure**

MINISTRY OF EDUCATION
DEPARTMENT OF CONSTRUCTION

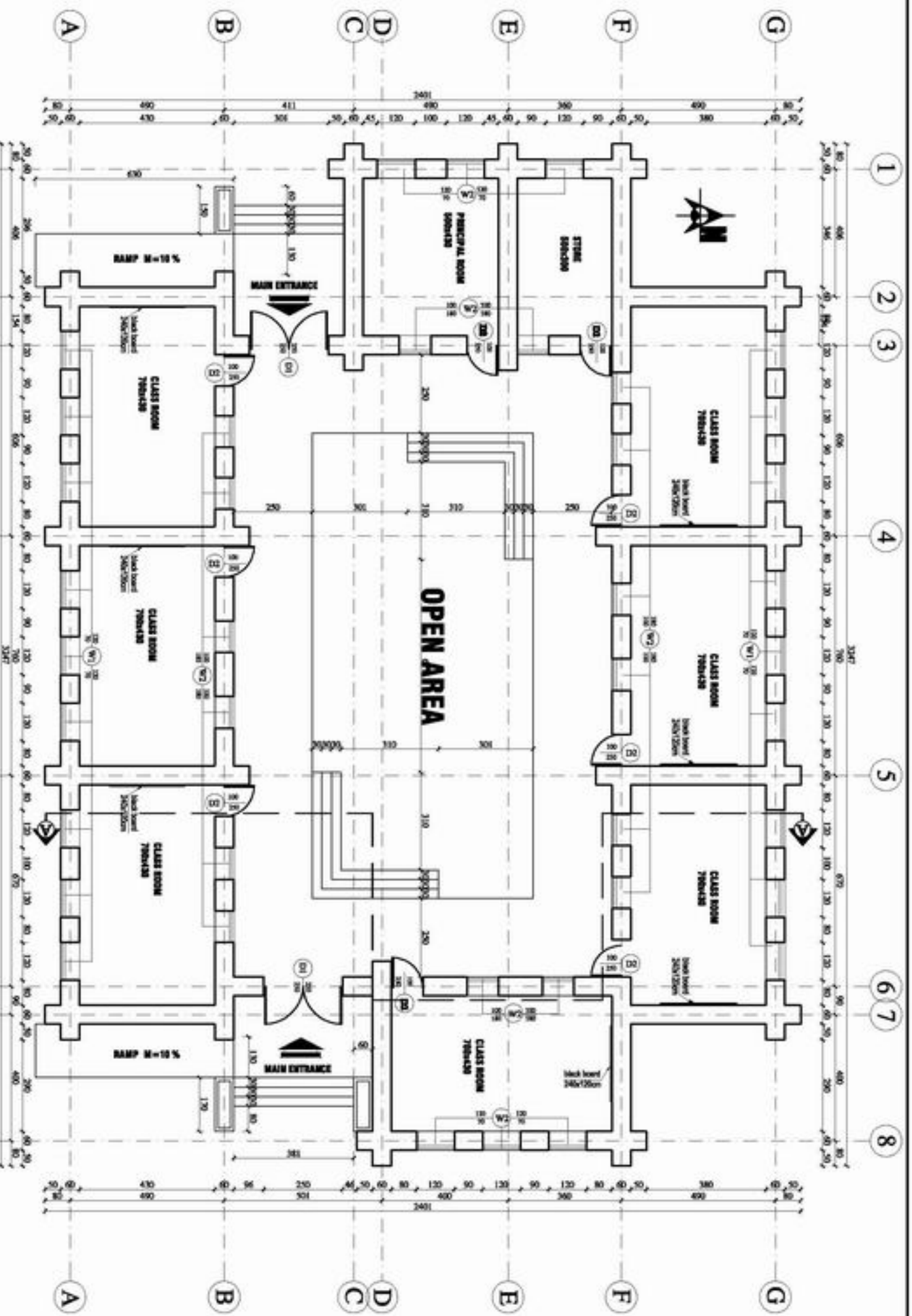
STANDARD SCHOOL DESIGN
IN AFGHANISTAN

DESIGNED BY	CHECKED BY	COLLECTED BY	APPROVED BY	DATE



PROJECT NAME
DRAWING TITLE

7 CLASS ROOM STONE MASONRY WALL 1:2000 FRONT ELEVATION



GROUND FLOOR PLAN

**Stone-Masonry
Structure**

MINISTRY OF EDUCATION
DEPARTMENT OF CONSTRUCTION

STANDARD SCHOOL DESIGN
IN AFGHANISTAN

DESIGNED BY	COLLECTED BY	APPROVED BY	DATE
REVISIONS	NO.	DATE	DESCRIPTION

PROJECT NAME
DRAWING TITLE

7 CLASS ROOM STONE MASONRY WALL 1-BREAK ROOM
GROUND FLOOR PLAN

