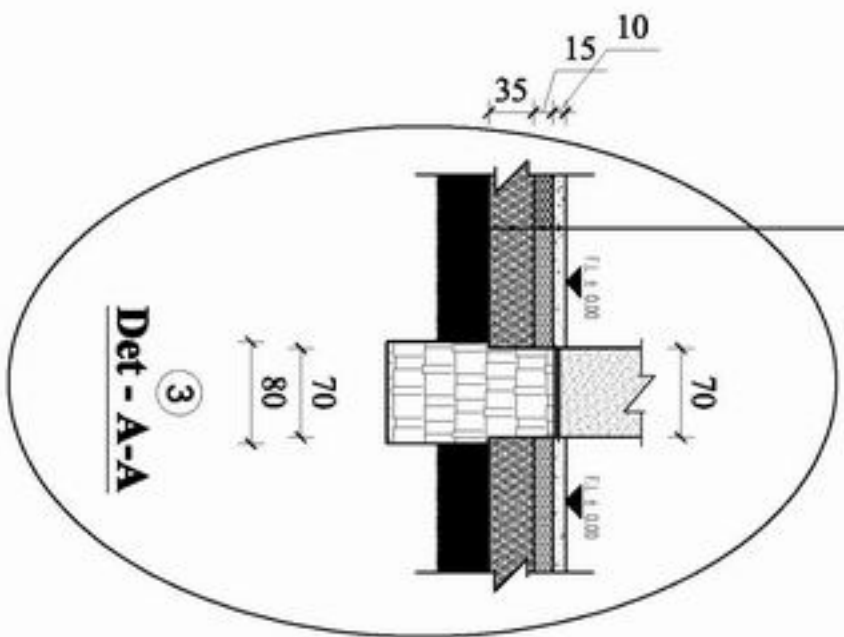
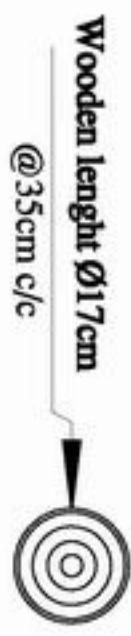


- Concrete(1:2:4) 10cm
- Compacted Gravel 15cm
- Compacted Soil 35cm
- Natural soil.

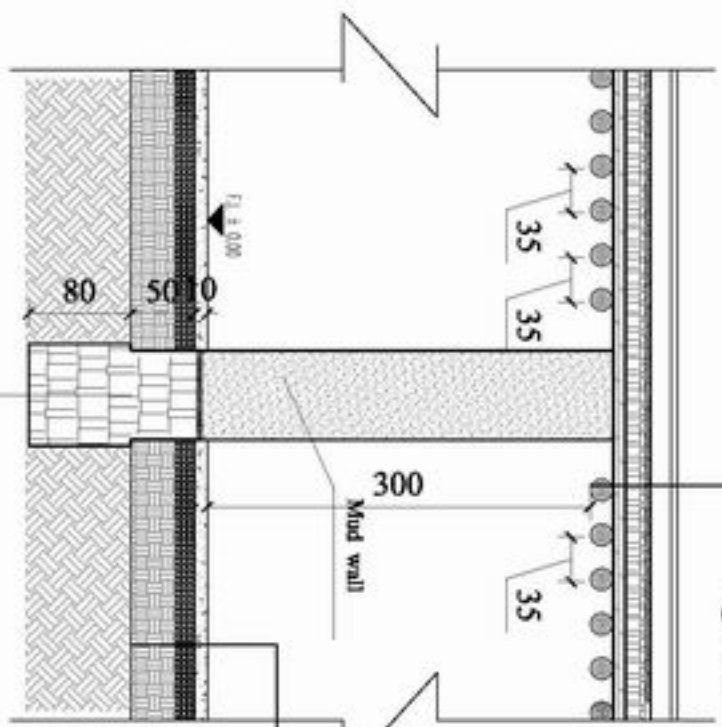


**Det - A-A**

**Det - B-B**



- Mud plaster 2.5 + 2.5
- Plastic sheet.
- Soil 5cm.
- Clay 10cm.
- Thatch mud
- Wooden board 2.5
- Wooden length Ø17cm @35cm c/c



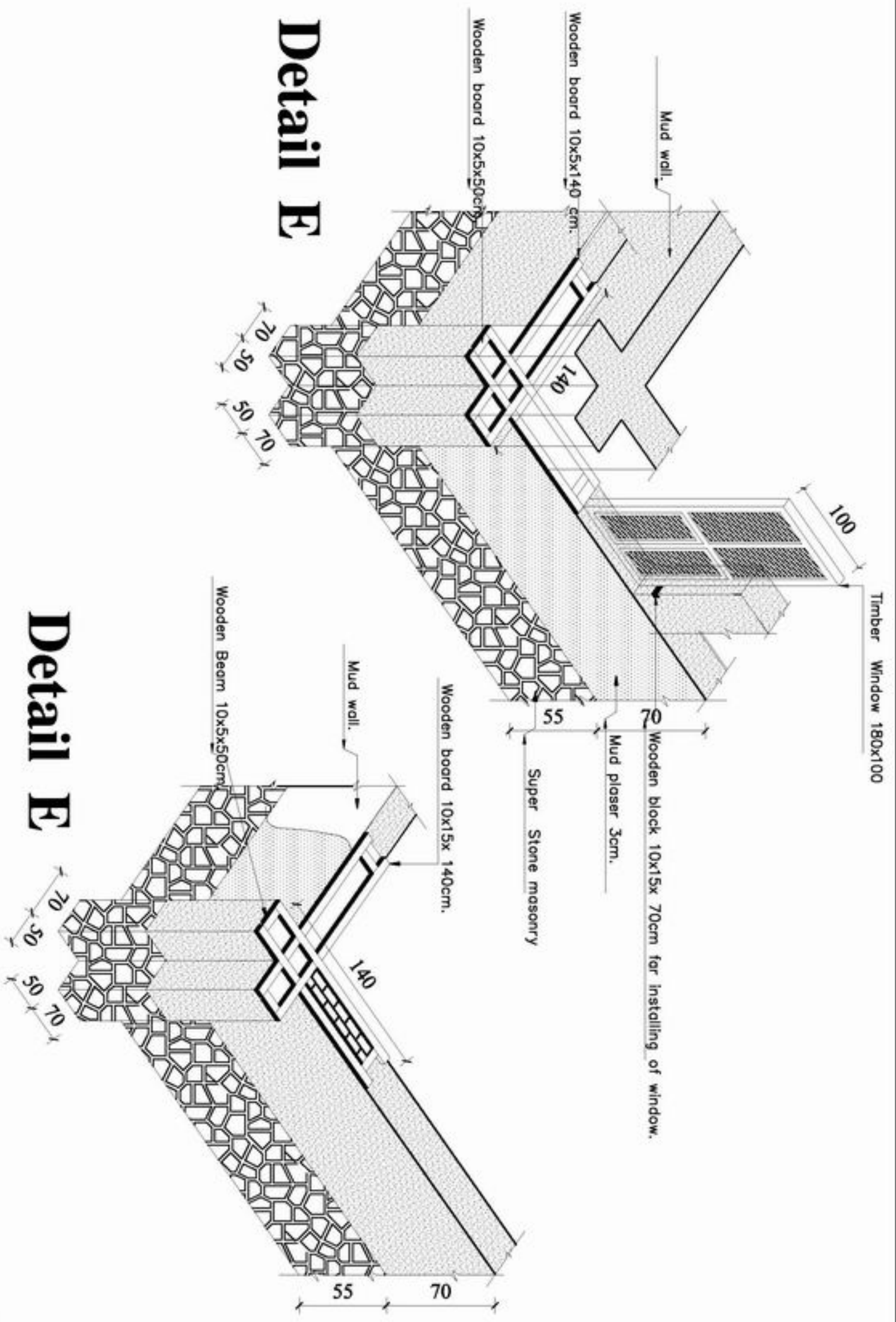
**Section B-B**

# Details

NO.	REVISION	DATE	BY	CHKD.	APP.



# Detail E



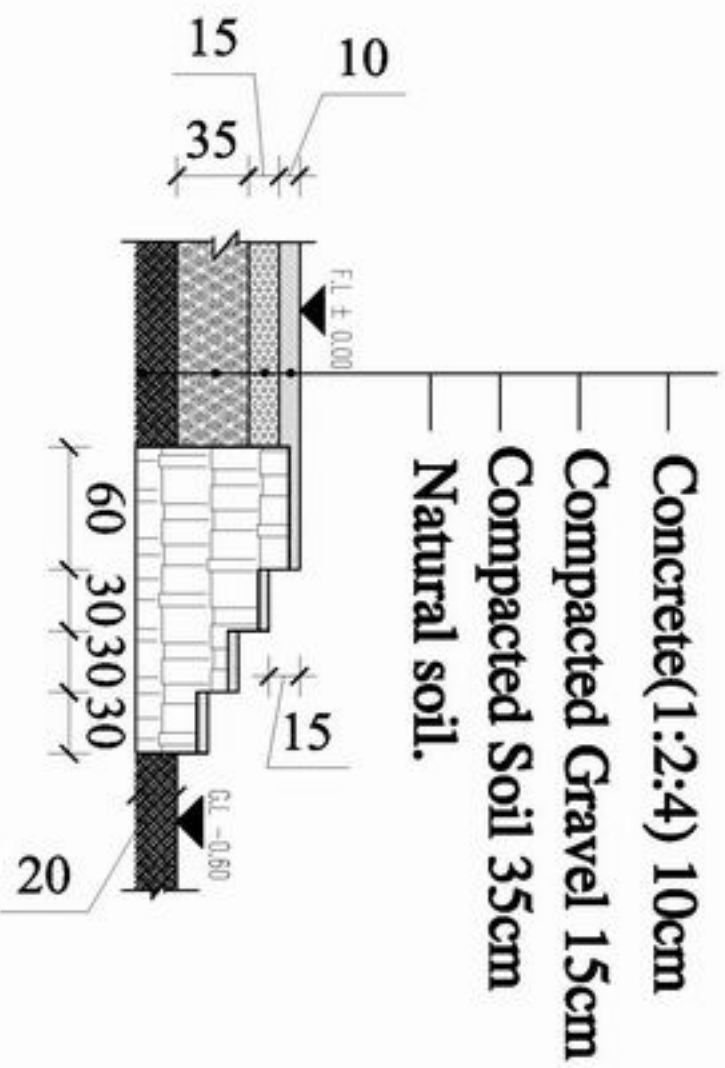
# Detail E

NO.	DESCRIPTION	DATE	BY	CHECKED	DATE

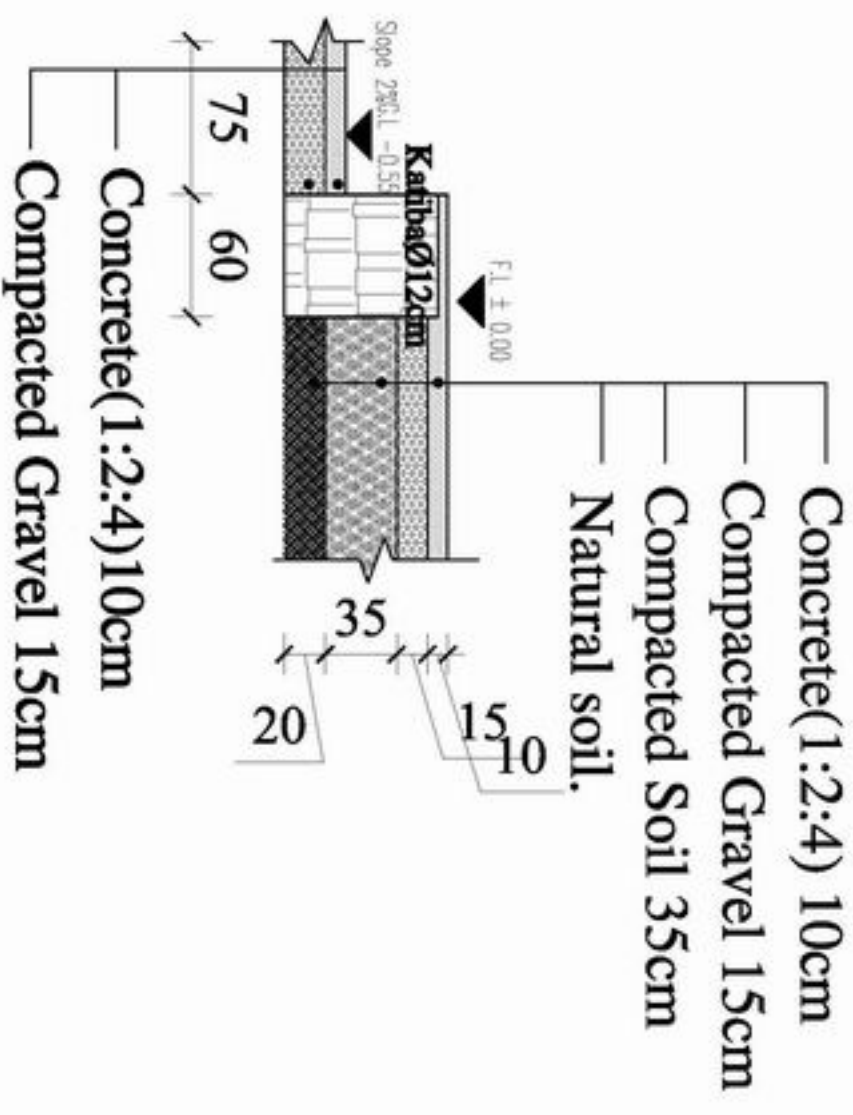
## Schedule of Window & Door

Type	Door 1	Door 2	Window 1	Window 2
Quantity	Door 1 250/250 2	9	24	17

# Detail of Window & Door



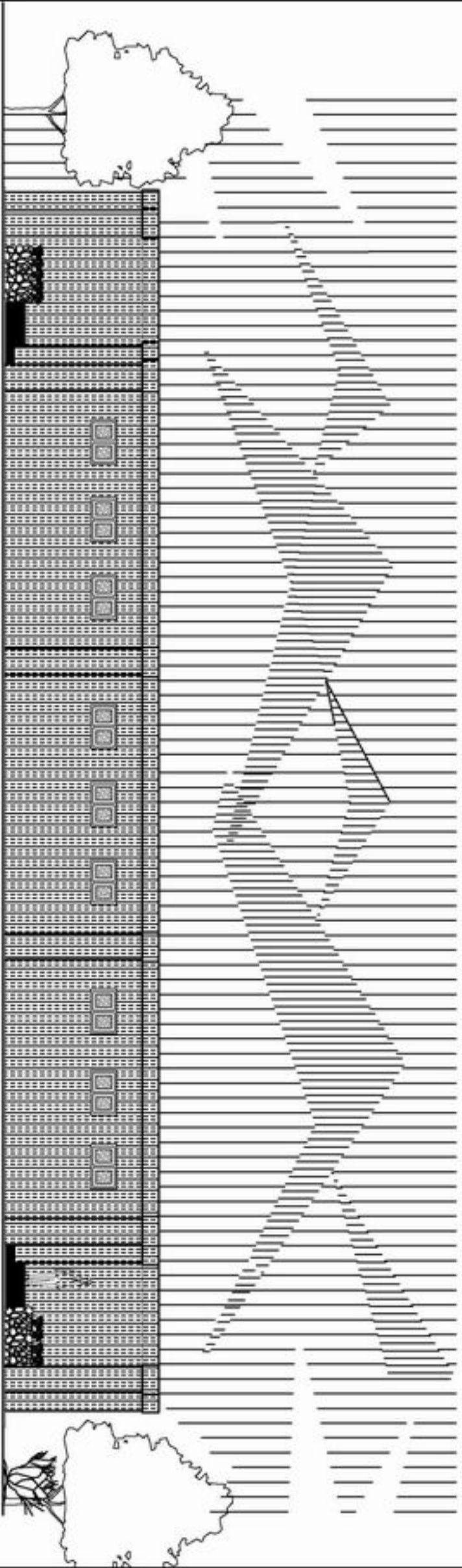
**Det - C-C**



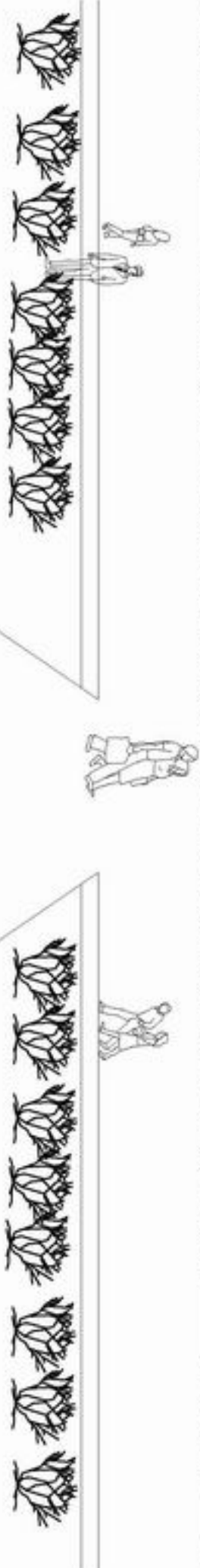
**Det - D-D**

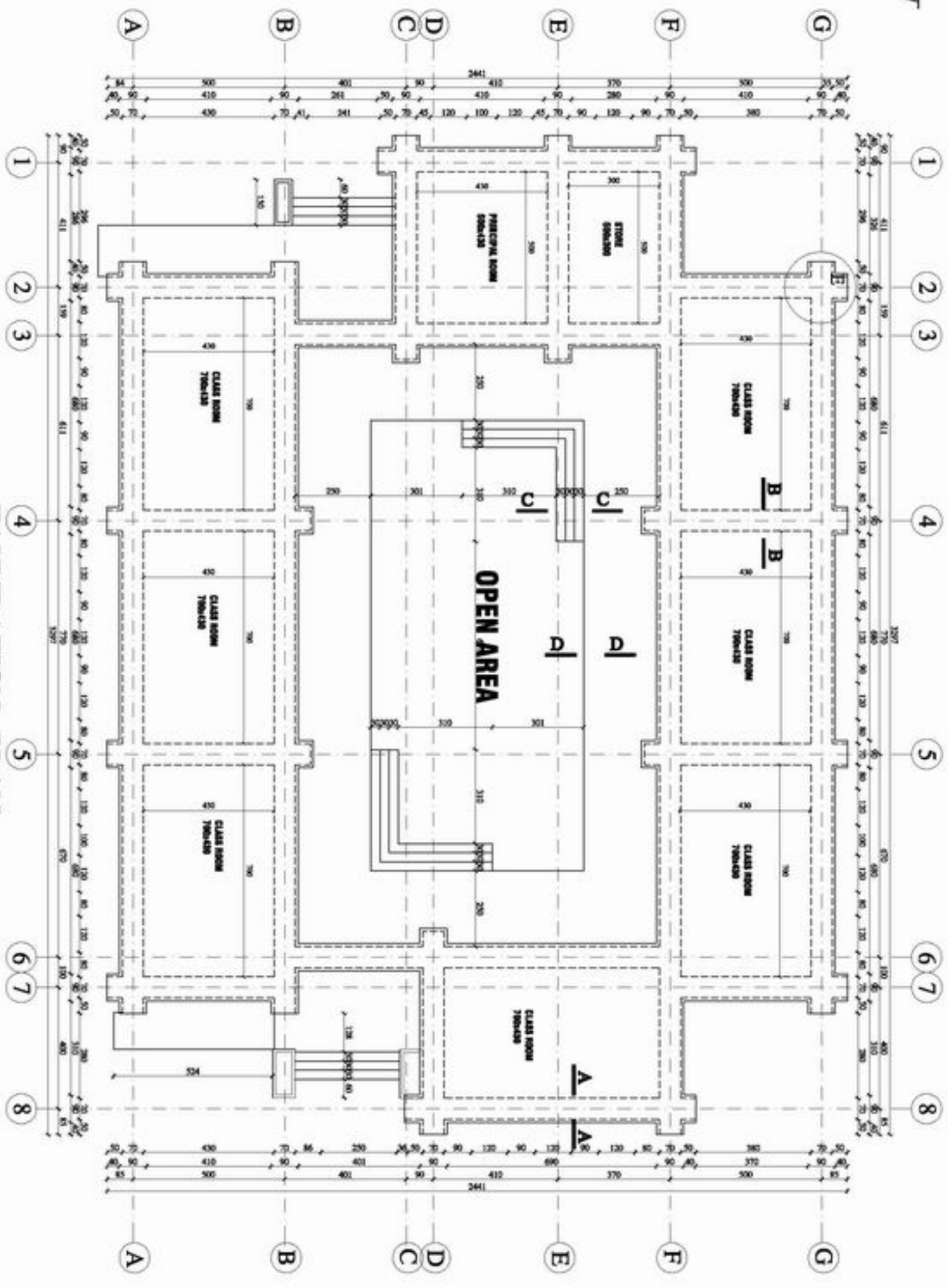
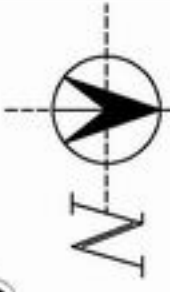
## Details

MINISTRY OF EDUCATION DEPARTMENT OF CONSTRUCTION	STANDARD SCHOOL DESIGN IN AFGHANISTAN	APPROVED BY: _____ DATE: _____	CHECKED BY: _____ DATE: _____	DRAWN BY: _____ DATE: _____	PROJECT NAME 7 CLASS ROOM NEED WALL, ROOBER BRICK ROOM.
		APPROVED BY: _____ DATE: _____	CHECKED BY: _____ DATE: _____	DRAWN BY: _____ DATE: _____	



Front Elevation

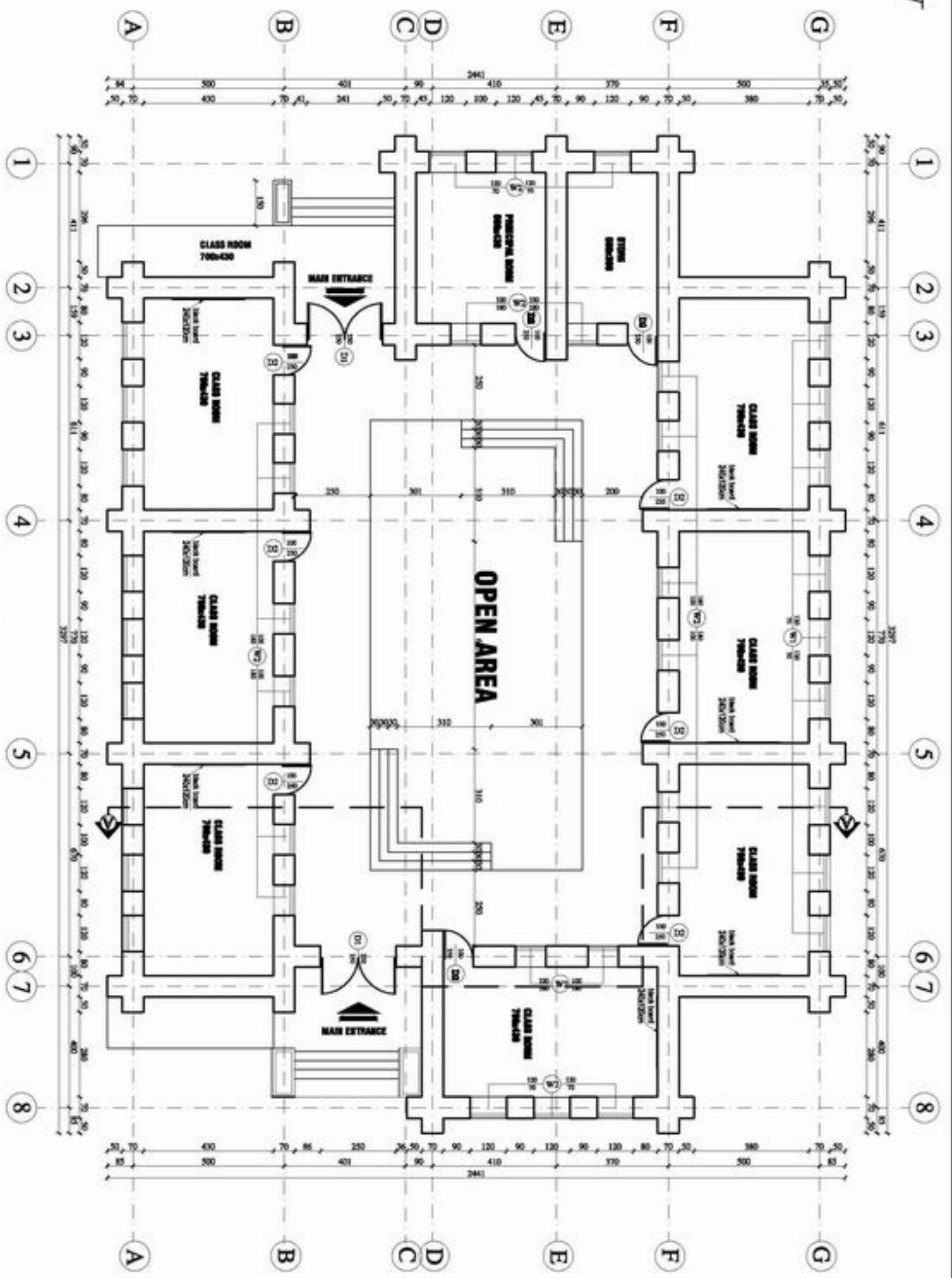
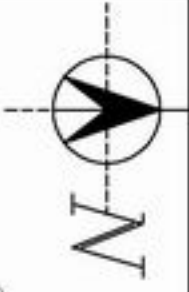




# FOUNDATION PLAN

<b>MINISTRY OF EDUCATION</b> <b>DEPARTMENT OF CONSTRUCTION</b>		<b>STANDARD SCHOOL DESIGN</b> <b>IN AFGHANISTAN</b>											
<table border="1"> <tr><td>ARCHITECT</td><td>DESIGNED BY</td></tr> <tr><td>ENGINEER</td><td>DRAWN BY</td></tr> <tr><td>CONTRACTOR</td><td>CHECKED BY</td></tr> <tr><td>DATE</td><td>SCALE</td></tr> </table>	ARCHITECT	DESIGNED BY	ENGINEER	DRAWN BY	CONTRACTOR	CHECKED BY	DATE	SCALE	<table border="1"> <tr><td>PROJECT NAME</td><td>1 CLASS ROOM WOOD WALL WOODEN BRICK ROOM.</td></tr> <tr><td>DRAWING TITLE</td><td>FOUNDATION PLAN</td></tr> </table>	PROJECT NAME	1 CLASS ROOM WOOD WALL WOODEN BRICK ROOM.	DRAWING TITLE	FOUNDATION PLAN
ARCHITECT	DESIGNED BY												
ENGINEER	DRAWN BY												
CONTRACTOR	CHECKED BY												
DATE	SCALE												
PROJECT NAME	1 CLASS ROOM WOOD WALL WOODEN BRICK ROOM.												
DRAWING TITLE	FOUNDATION PLAN												

M.A. SYED  
ENGINEER



GROUND FLOOR PLAN

MINISTRY OF EDUCATION  
DEPARTMENT OF CONSTRUCTION

STANDARD SCHOOL DESIGN  
IN AFGHANISTAN

NO.	DESCRIPTION	DATE	BY	CHECKED	APPROVED



PROJECT NAME  
DRAWING TITLE

7 CLASS ROOM WOOD WALL WOODEN BRICK ROOF.  
GROUND FLOOR PLAN

M.A. SYED  
ARCHITECT

