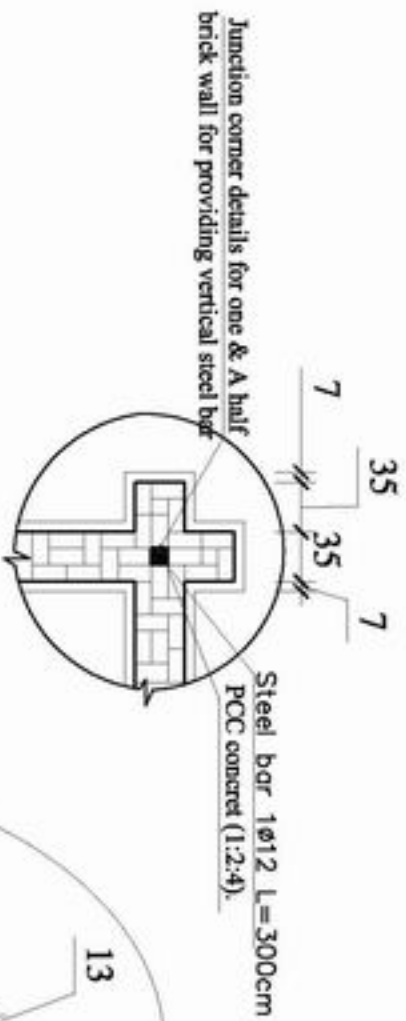


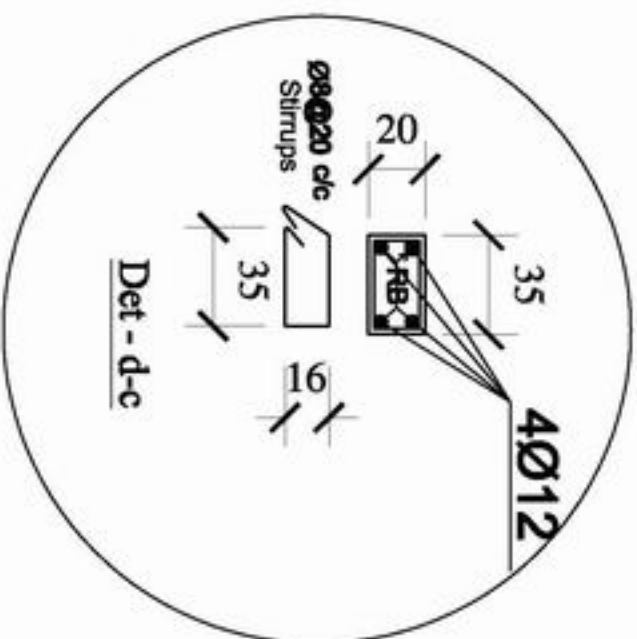
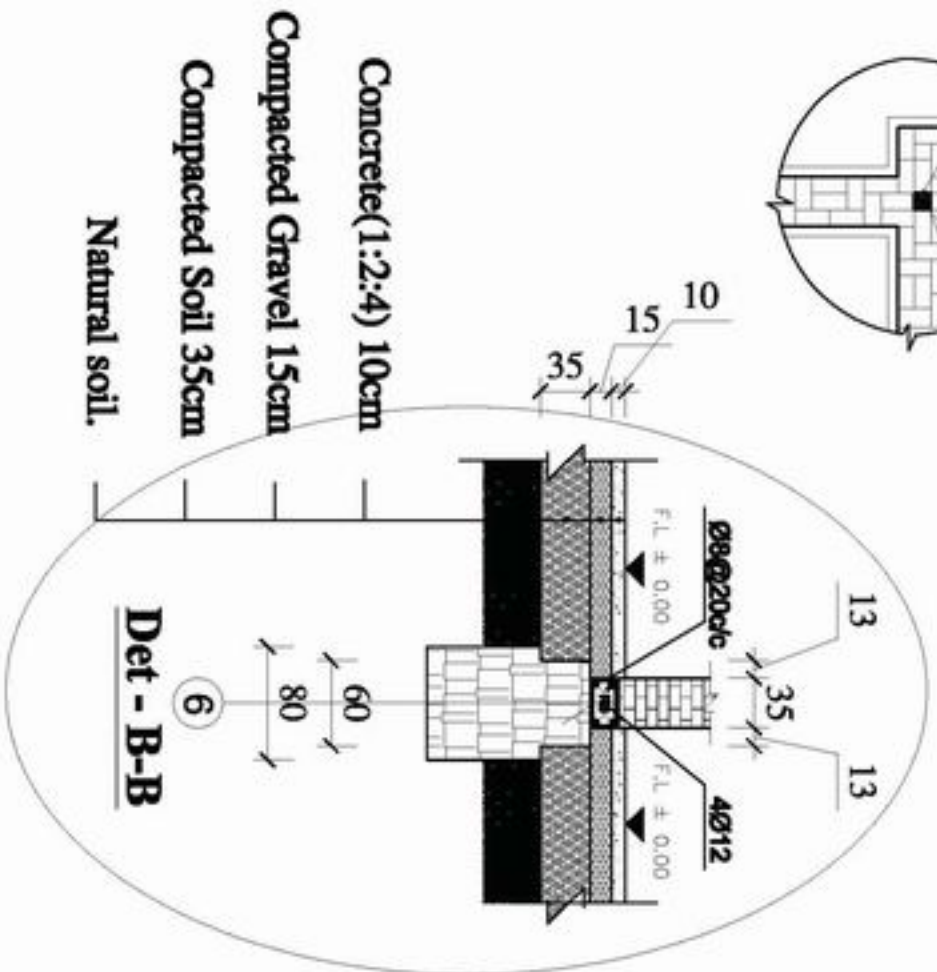
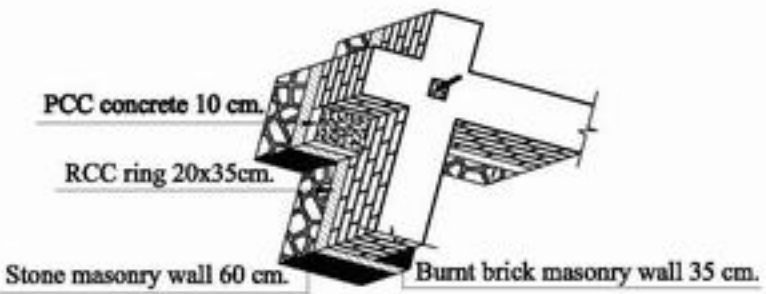
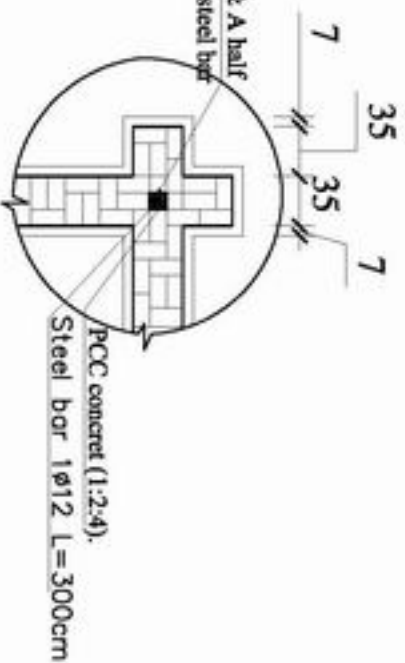
Details

NO.	DESCRIPTION	DATE	BY	CHECKED	DATE	BY	CHECKED
1	FOUNDATION						
2	WALL						
3	WOODEN BEAM						
4	WOODEN BOARD						
5	THATCH MAT						
6	CLAY						
7	SOIL						
8	PLASTIC SHEET						
9	MUD PLASTER						

first layer Burnt bricks



second layer Burnt bricks



Details

Detail E

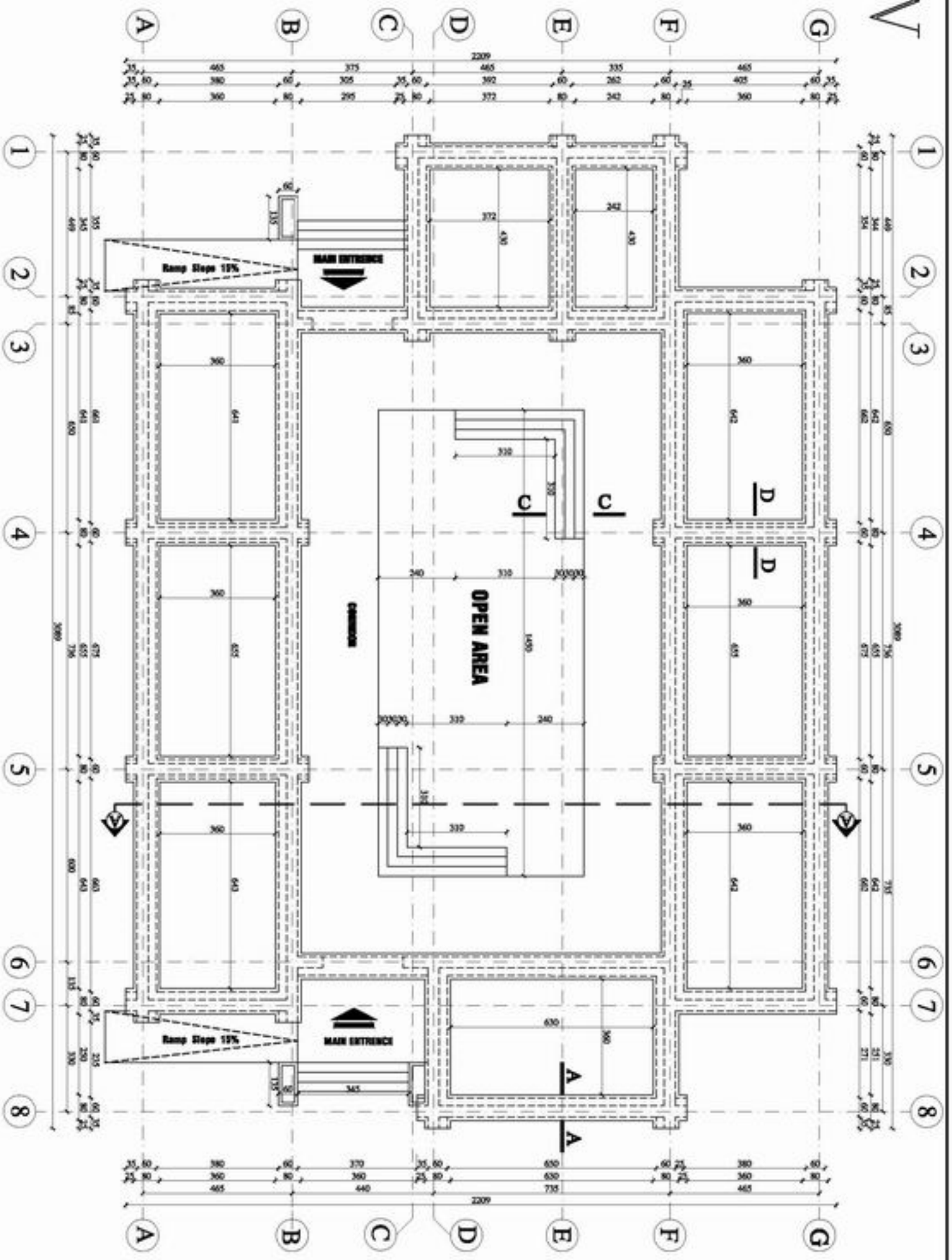
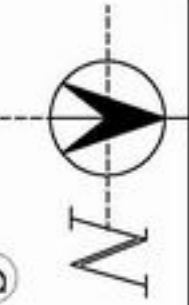
NO.	REVISION	DATE	BY	CHKD.	APP.

PROJECT NAME	7 CLASS ROOM BUILT BRICK WALL, WOODEN BEAM ROOF.
DRAWING TITLE	DETAILS

Schedule of Window & Door

Type	Door 1	Door 2	Window 1	Window 2
Quantity	Door1 250/250 2	9	24	17

Detail of Window & Door



FOUNDATION PLAN

MINISTRY OF EDUCATION
DEPARTMENT OF CONSTRUCTION

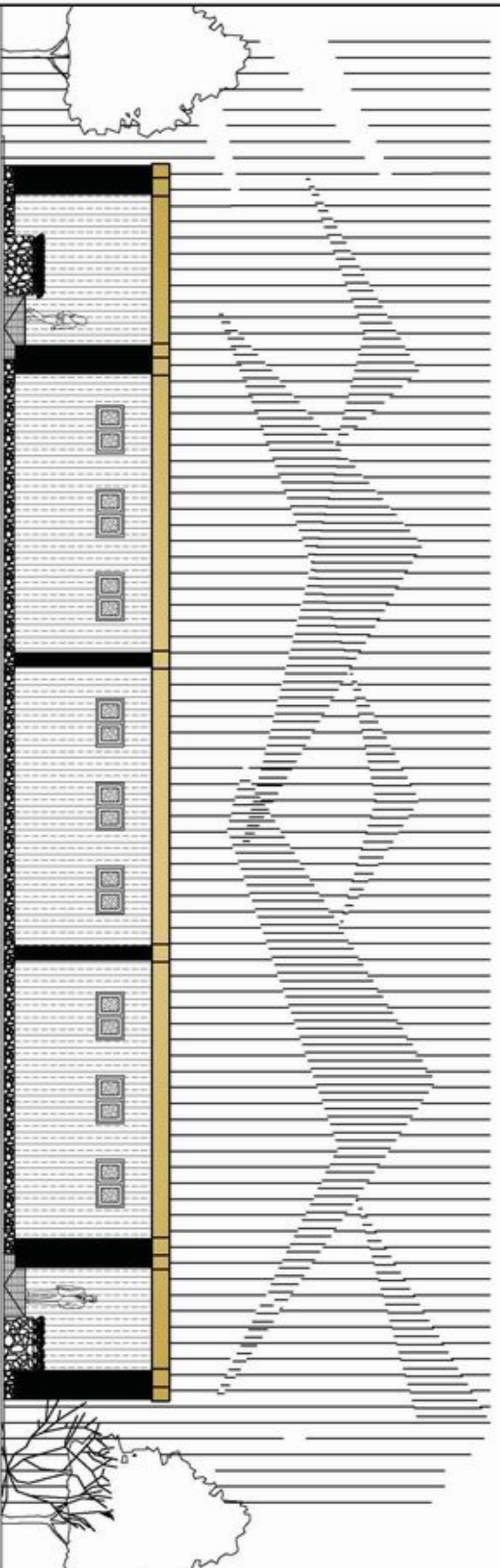
STANDARD SCHOOL DESIGN
IN AFGHANISTAN

NO.	DESCRIPTION	DATE

PROJECT NAME
DRAWING TITLE

7 CLASS ROOM BENT BRICK WALL WOODEN BEAM ROOF.
FOUNDATION PLAN

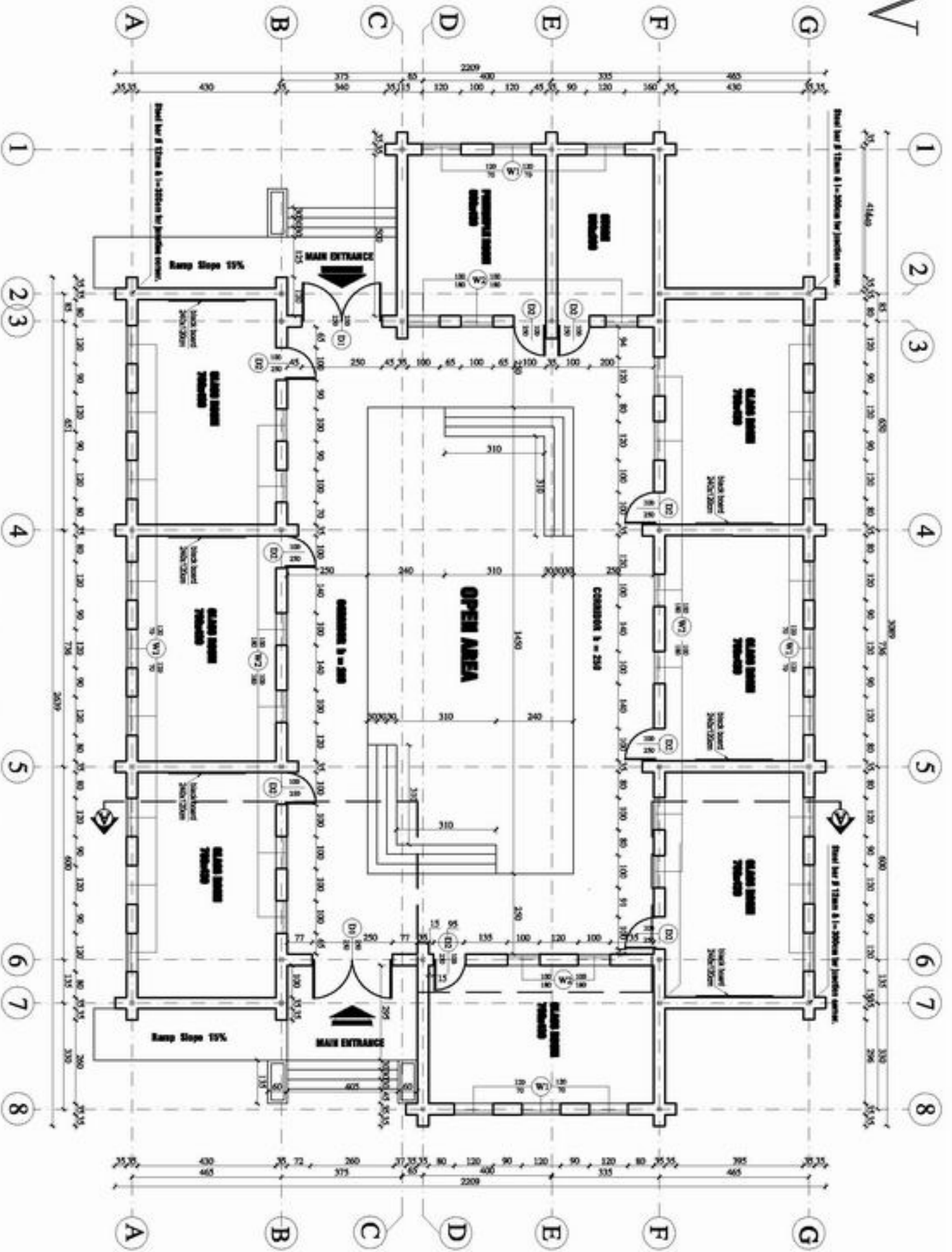
Shah-Bekir
Structural



Front Elevation



 MINISTRY OF EDUCATION DEPARTMENT OF CONSTRUCTION		 STANDARD SCHOOL DESIGN IN AFGHANISTAN		ARCHITECTURE CONCEPT NO. 100000000	WALL MATERIAL MATERIALS NO. 100000000	APPROVALS DATE NO. 100000000	MATERIALS NO. 100000000	MATERIALS NO. 100000000	PROJECT NAME 7 CLASS ROOM BRIGHT BRICK WALL WOODEN BEAM ROOF
				DRAWING TITLE FRONT ELEVATION					



GROUND FLOOR PLAN

MINISTRY OF EDUCATION
DEPARTMENT OF CONSTRUCTION

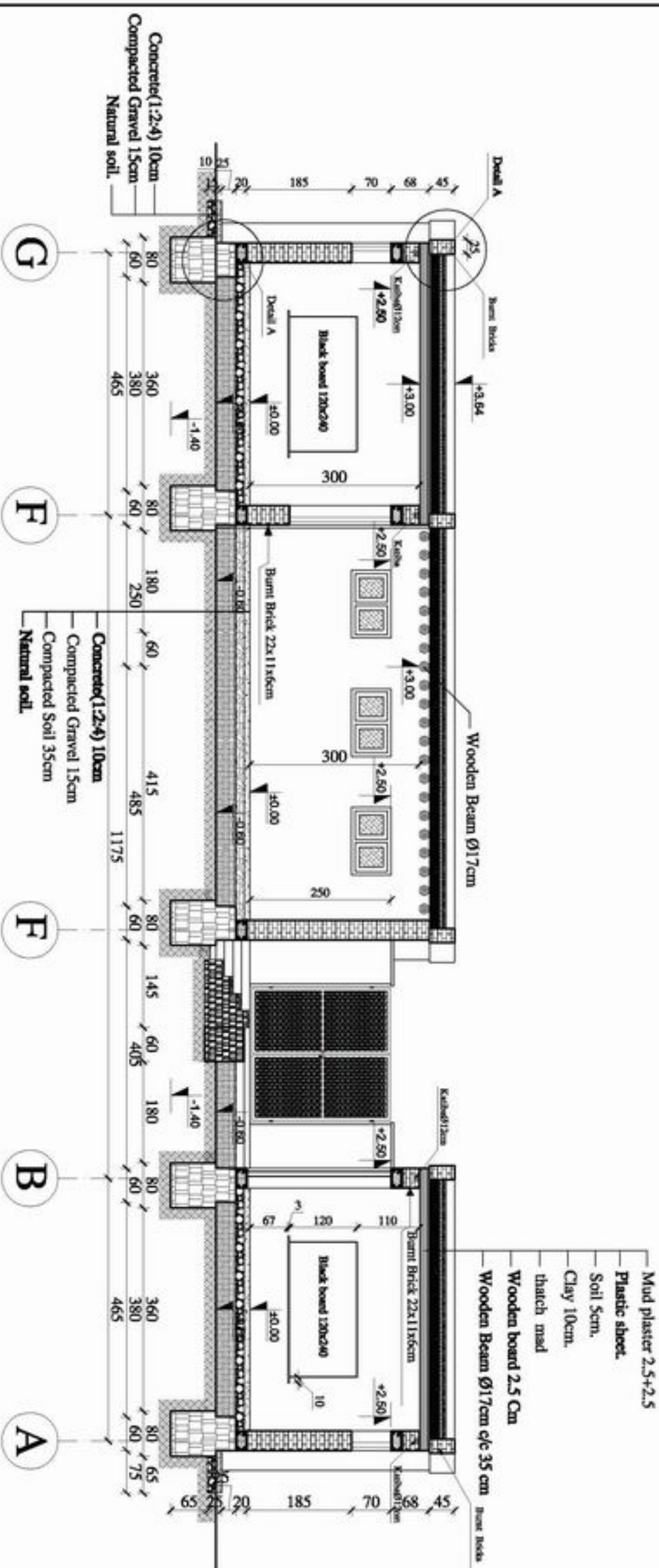
STANDARD SCHOOL DESIGN
IN AFGHANISTAN

ARCHITECTURE	ESTABLISHMENT	APPROVAL/DATE	SCALE	DATE
CONSTRUCTION	REVISION/DATE	APPROVAL/DATE	SCALE	DATE
DESIGN/DATE	REVISION/DATE	APPROVAL/DATE	SCALE	DATE

PROJECT NAME
DRAWING TITLE

7 CLASS ROOM BENT BACK WALL WOODEN BEAM ROOF
GROUND FLOOR PLAN

Barnes-Bichler
 Architects



APPROVED BY	DESIGNED BY	CHECKED BY	DATE