

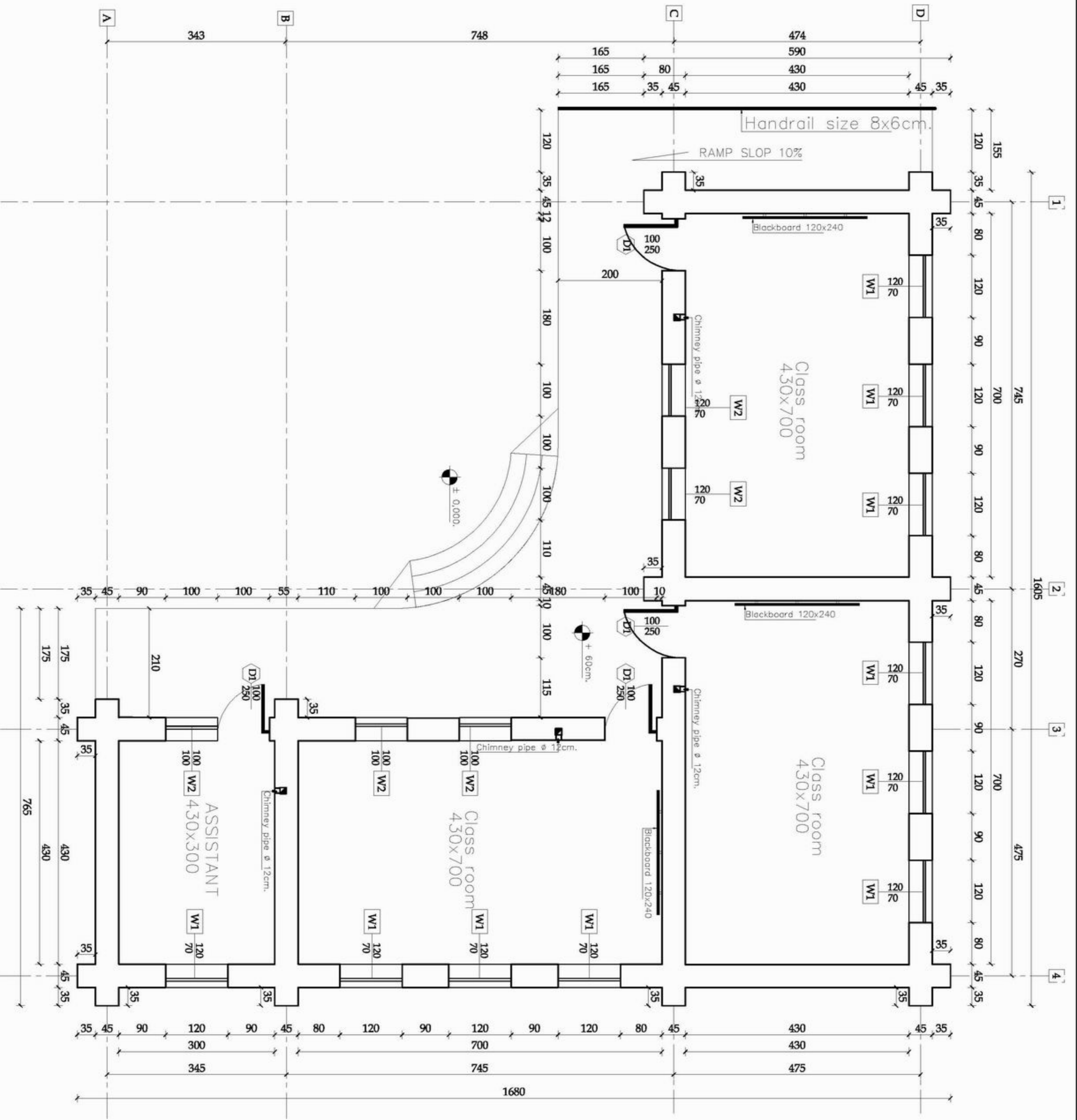


APPROVED BY	APPROVED DATE
CHECKED BY	SCALE
TECH. APPROVED BY	DATE

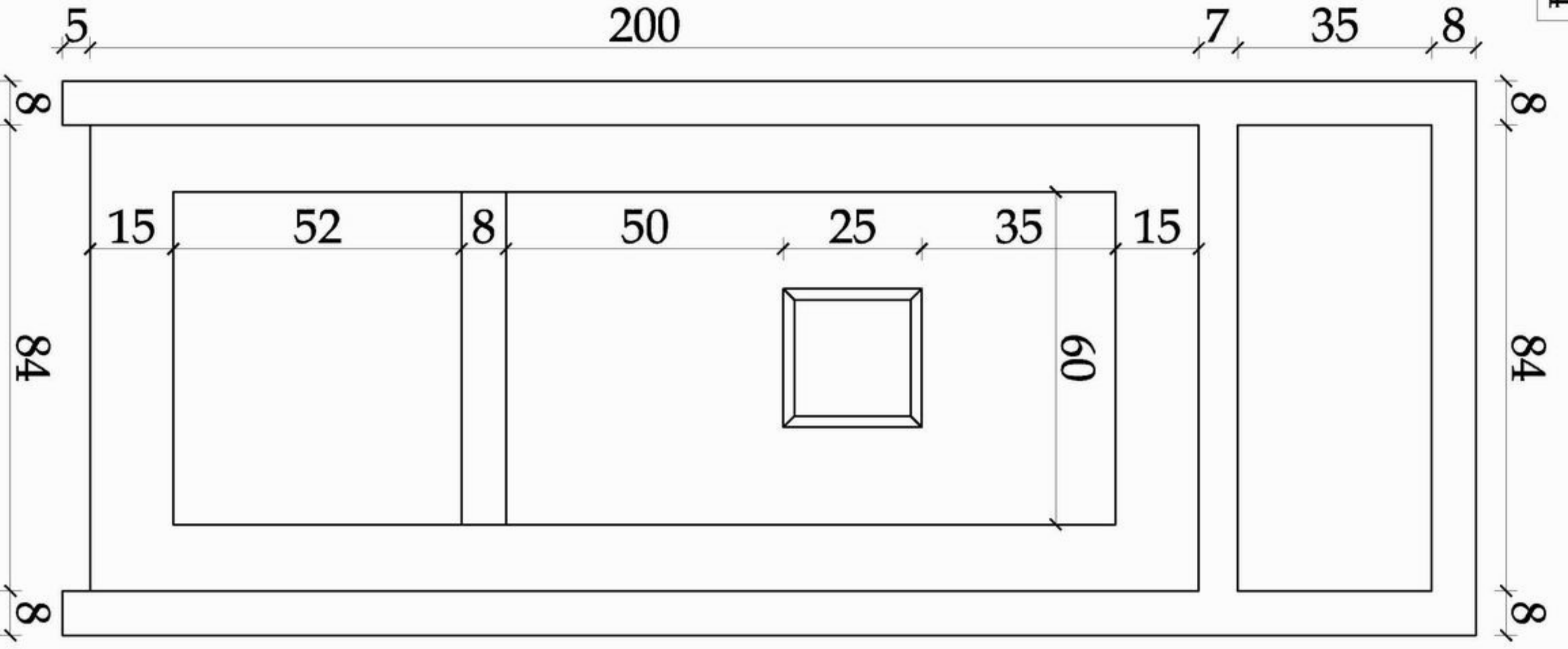
APPROVED BY	APPROVED DATE
CHECKED BY	SCALE
TECH. APPROVED BY	DATE

PROJECT NAME	3 CLASS ROOM SUNDRIED BRICK WOODEN BEAM ROOF.
DRAWING TITLE	GROUND FLOOR PLAN

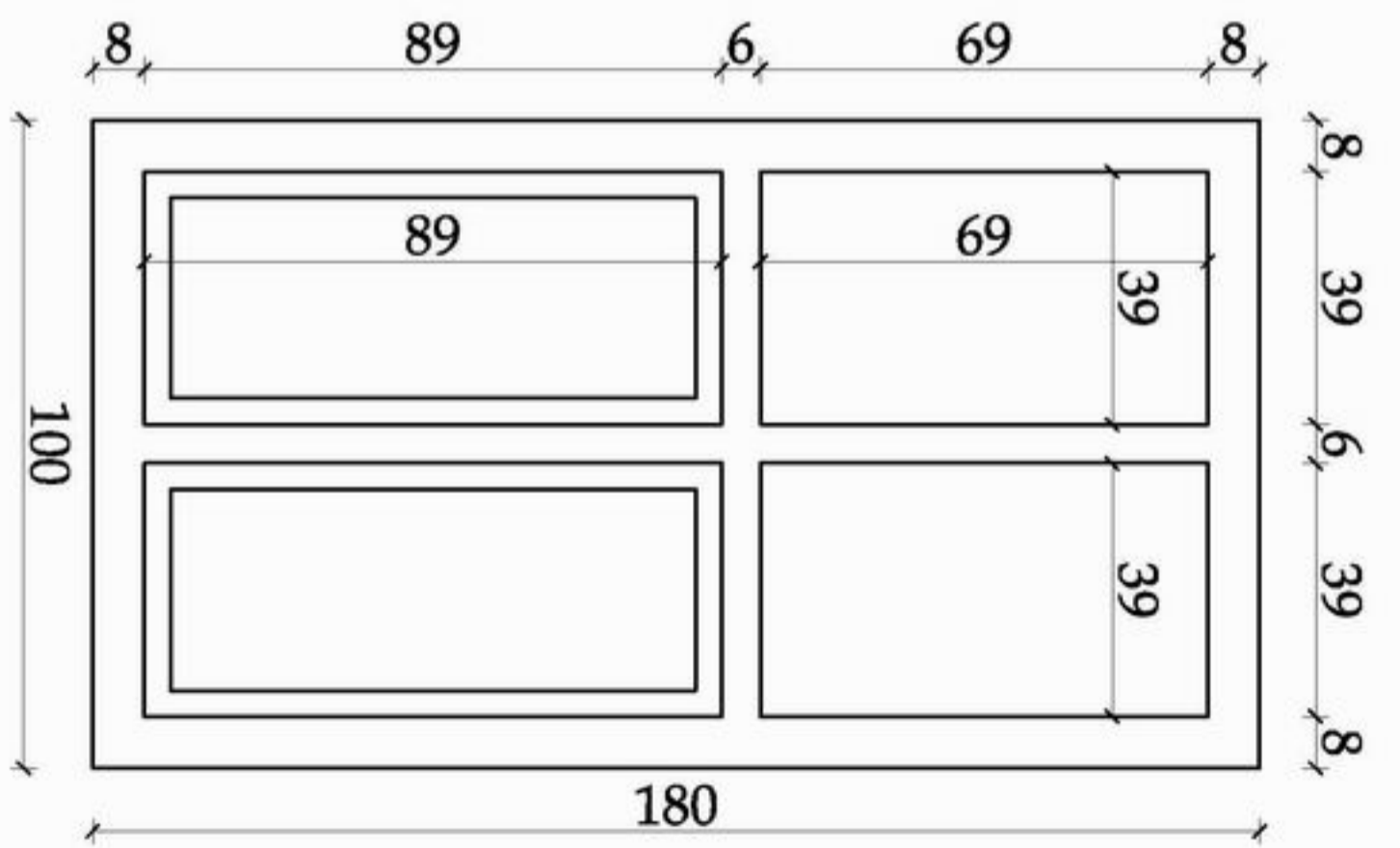
APPROVED BY	APPROVED DATE
CHECKED BY	SCALE
TECH. APPROVED BY	DATE



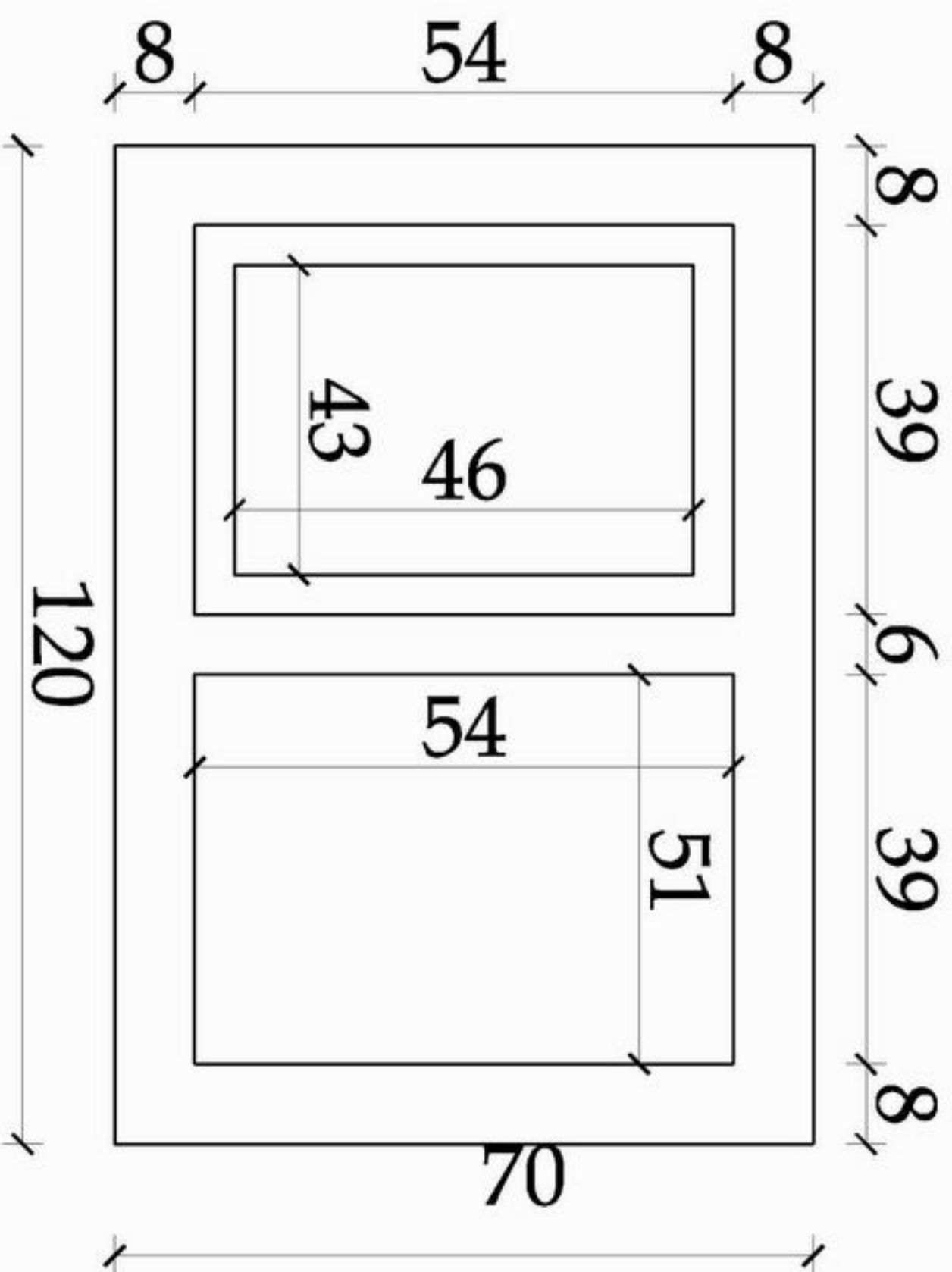
DOOR 1 N=4



WINDOW 1 N=5



WINDOW 2 N=10



MINISTRY OF EDUCATION
DEPARTMENT OF CONSTRUCTION



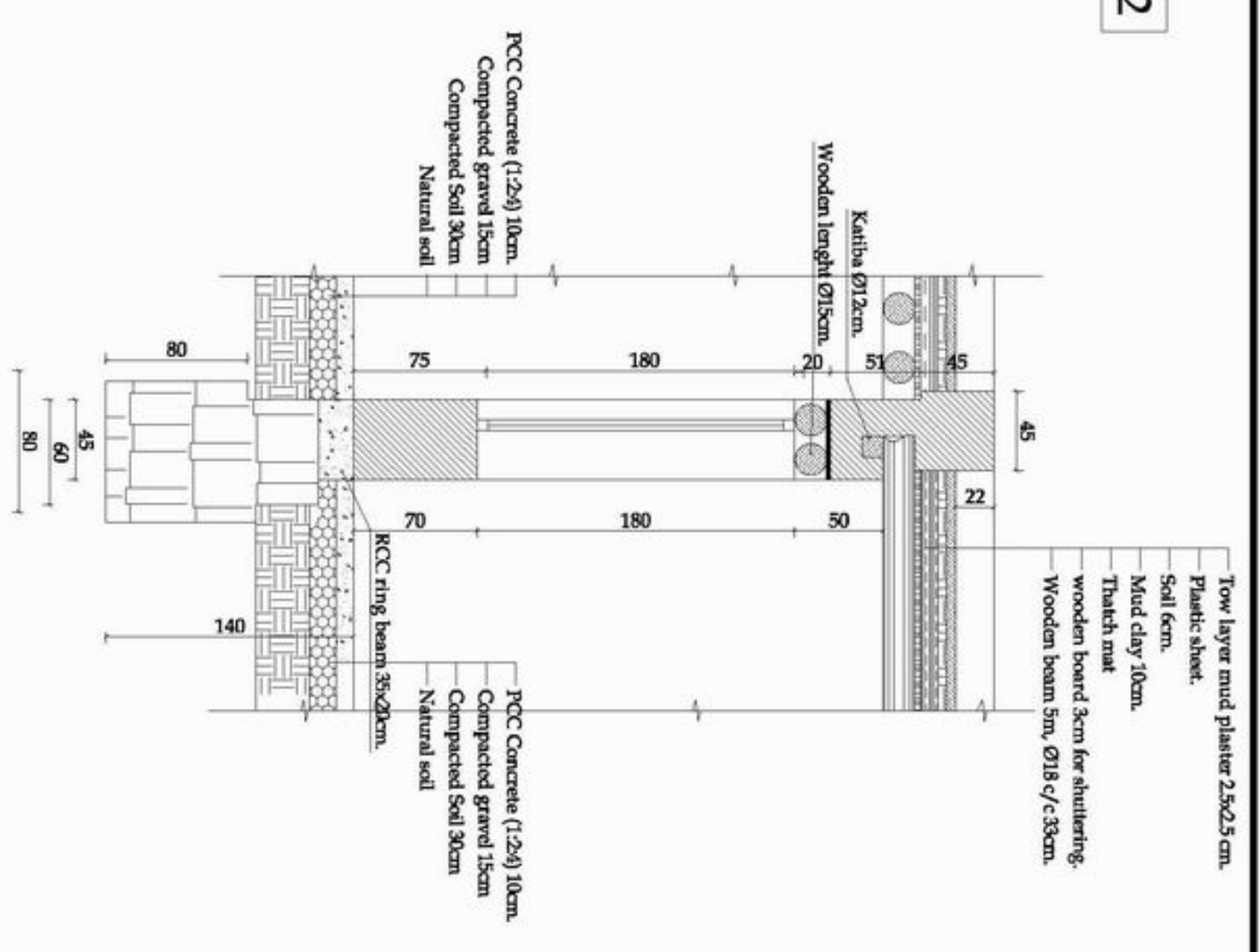
STANDARD SCHOOL DESIGN
IN AFGHANISTAN

CHECKED BY	ALFEROZ TARIQ	APPROVED DATE	ENG. MOJIB YONIS VOJISIZAI	DRAWING No
TECH. APPROVED BY	ENG. GILHAZAT	SCALE	AS SHOWN (AS)	SHEET No
	ENG. AB. MATHIN MAOOL	DATE	23.6.2006	7

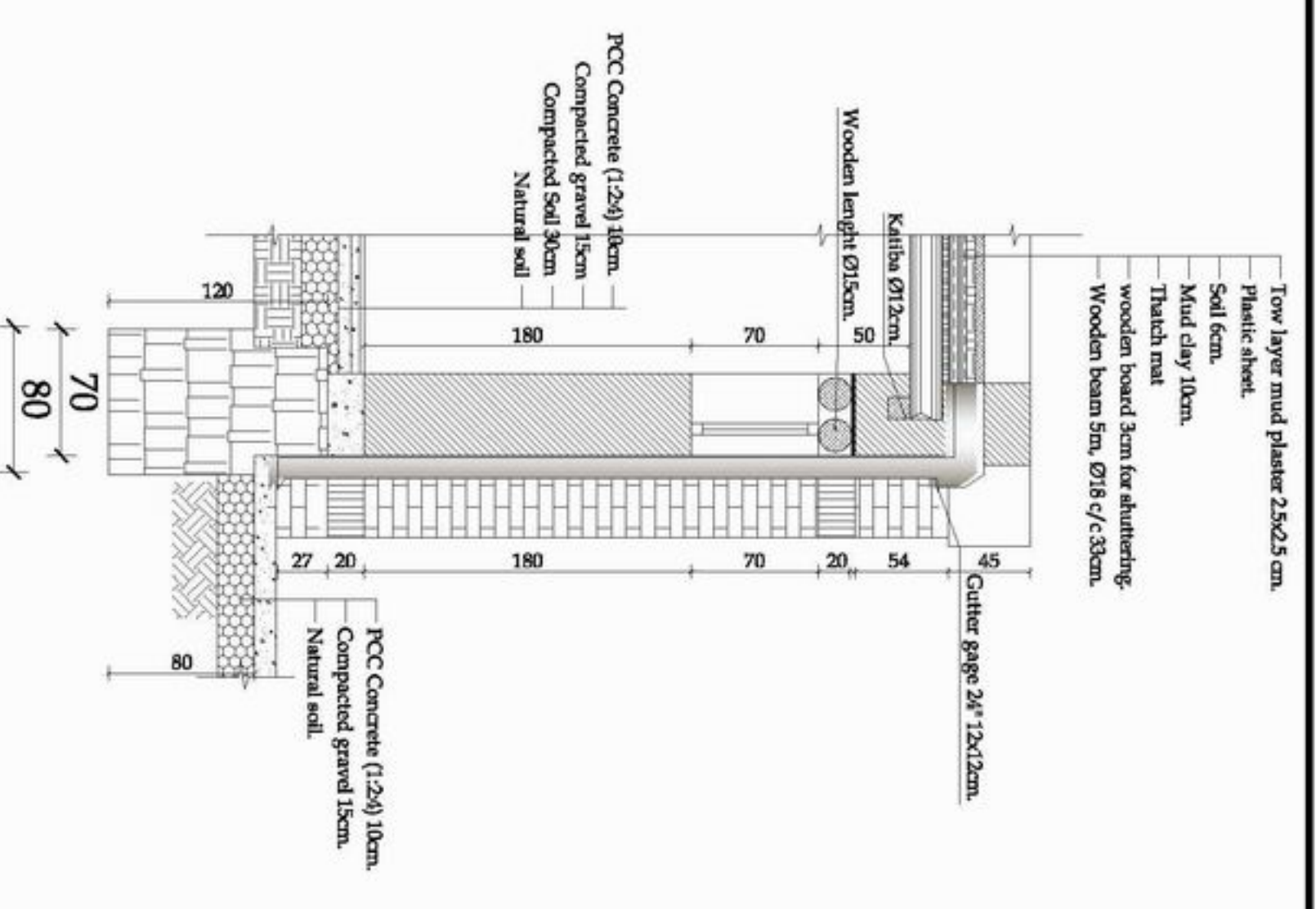
PROJECT NAME
DRAWING TITLE

3 CLASS ROOM SUN DRIED BRICK WALL WOODEN BEAM ROOF.
DETAIL

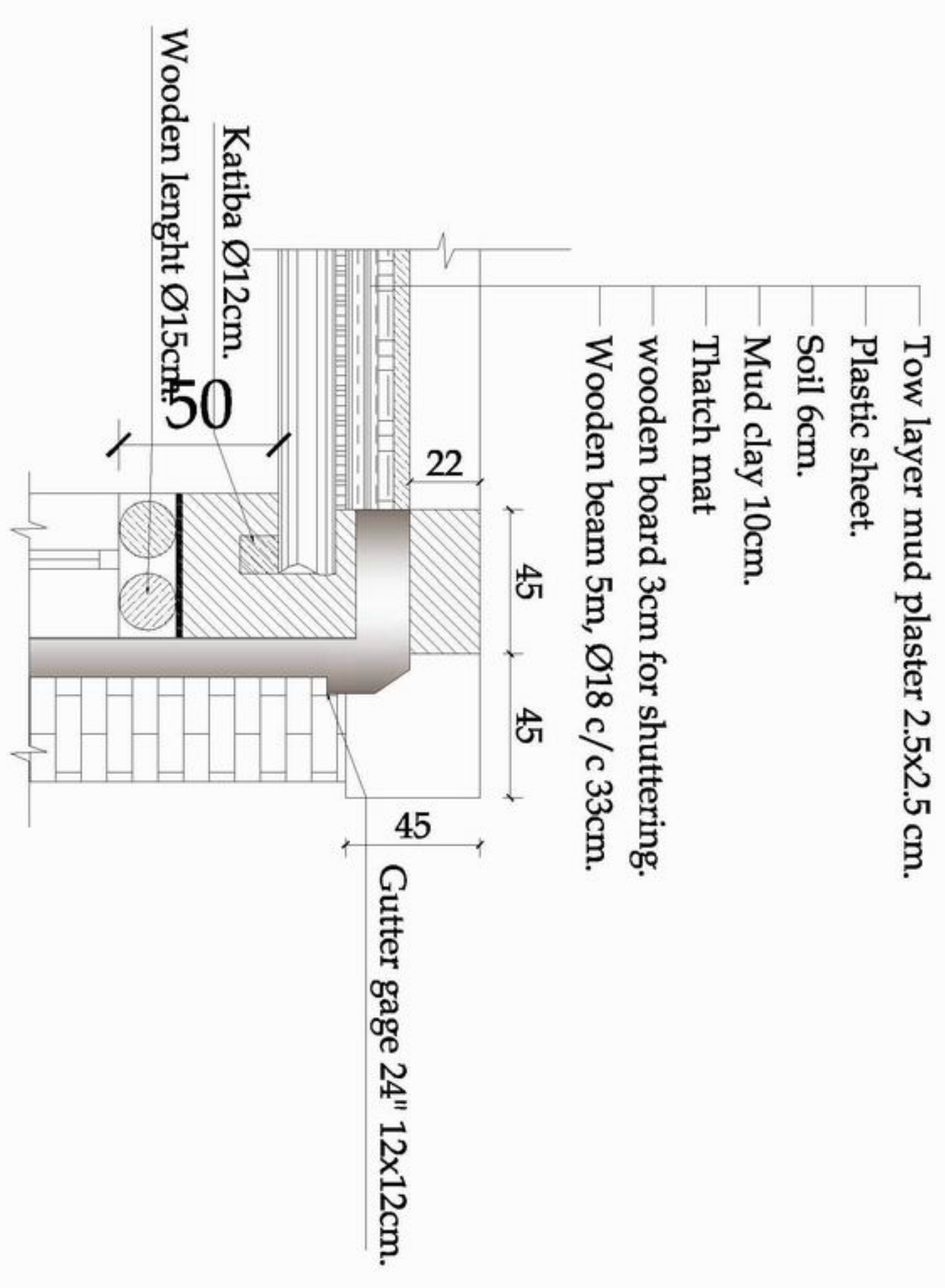
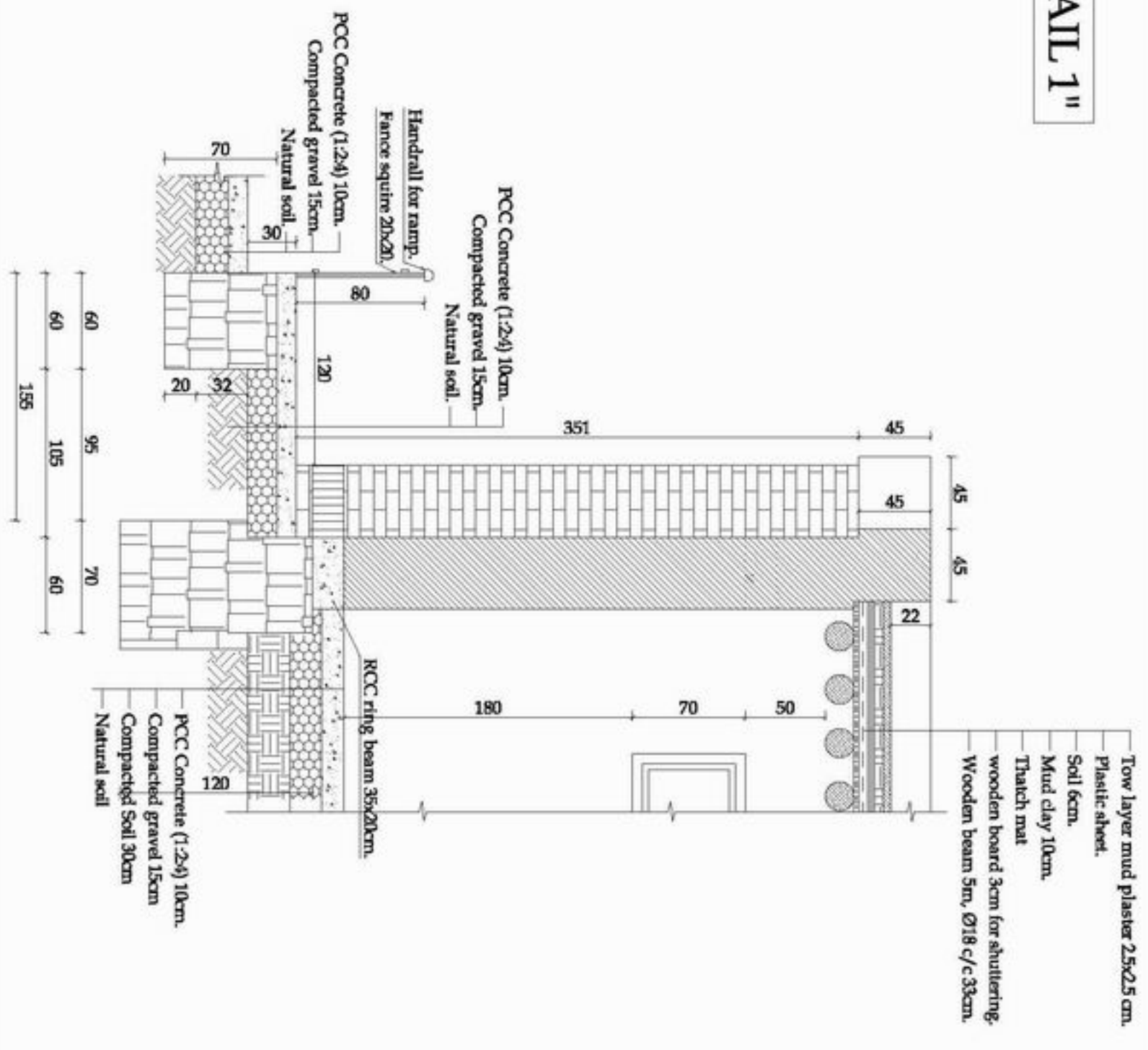
DETAIL 2



DETAIL 3

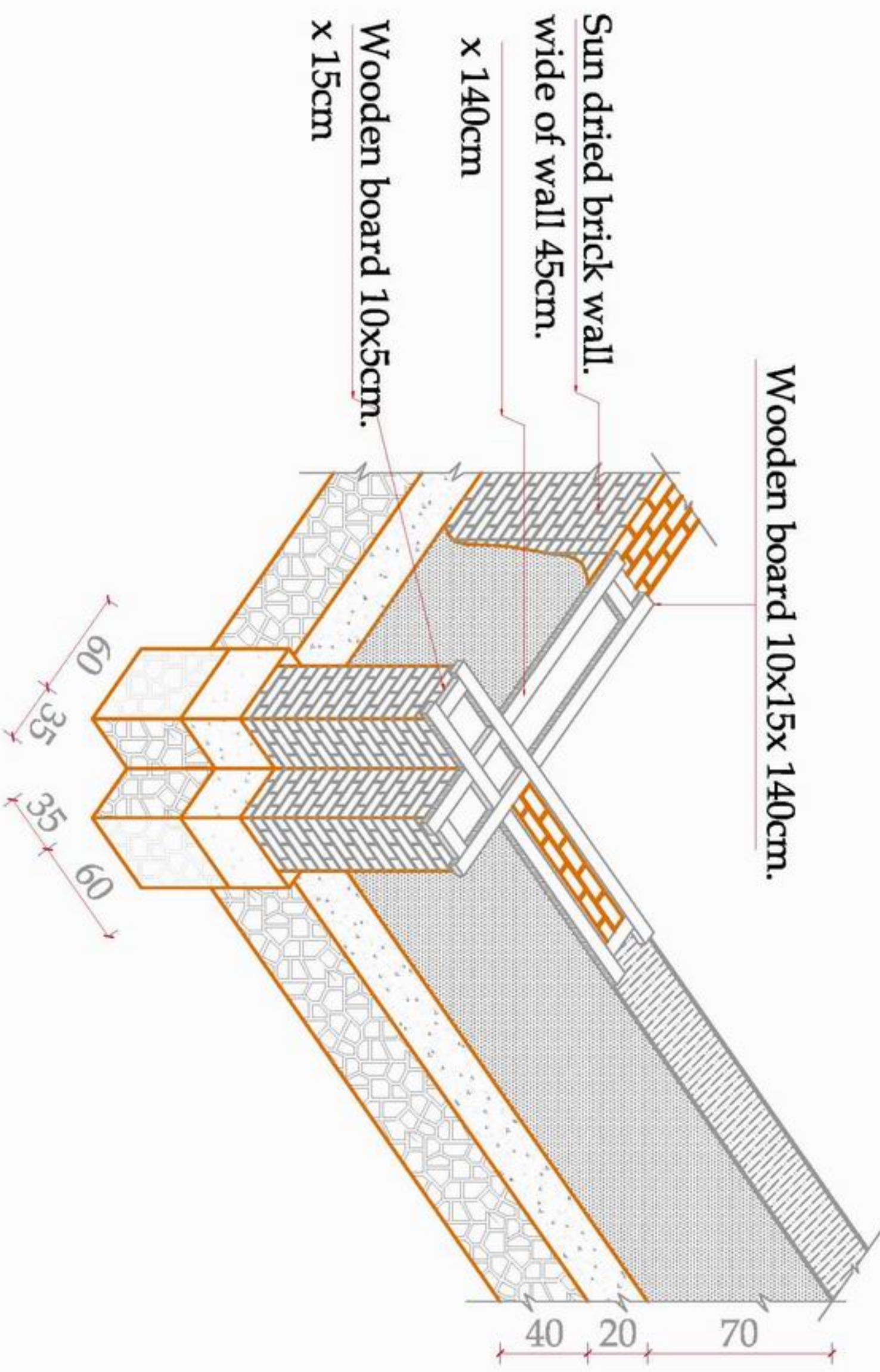
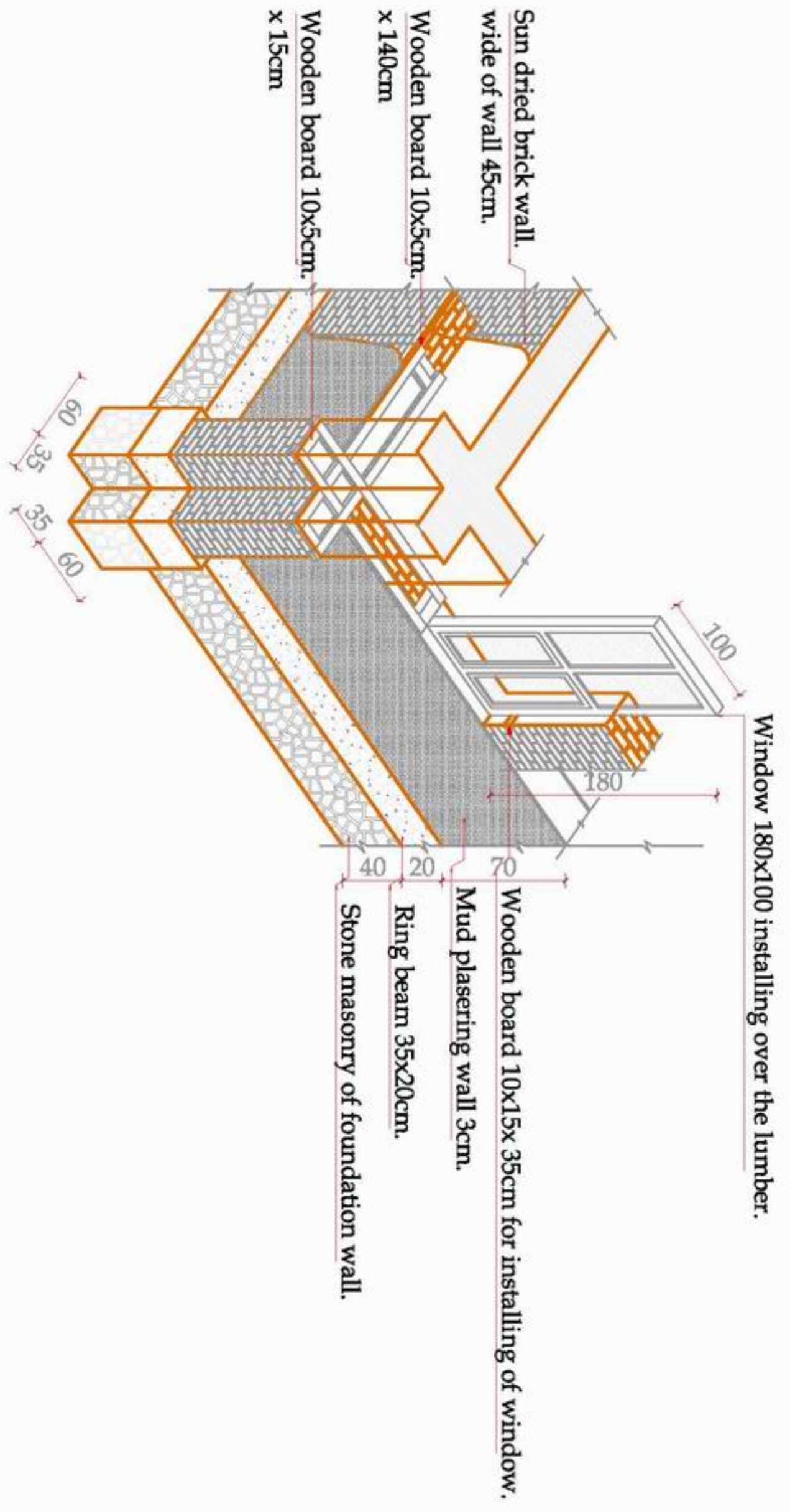
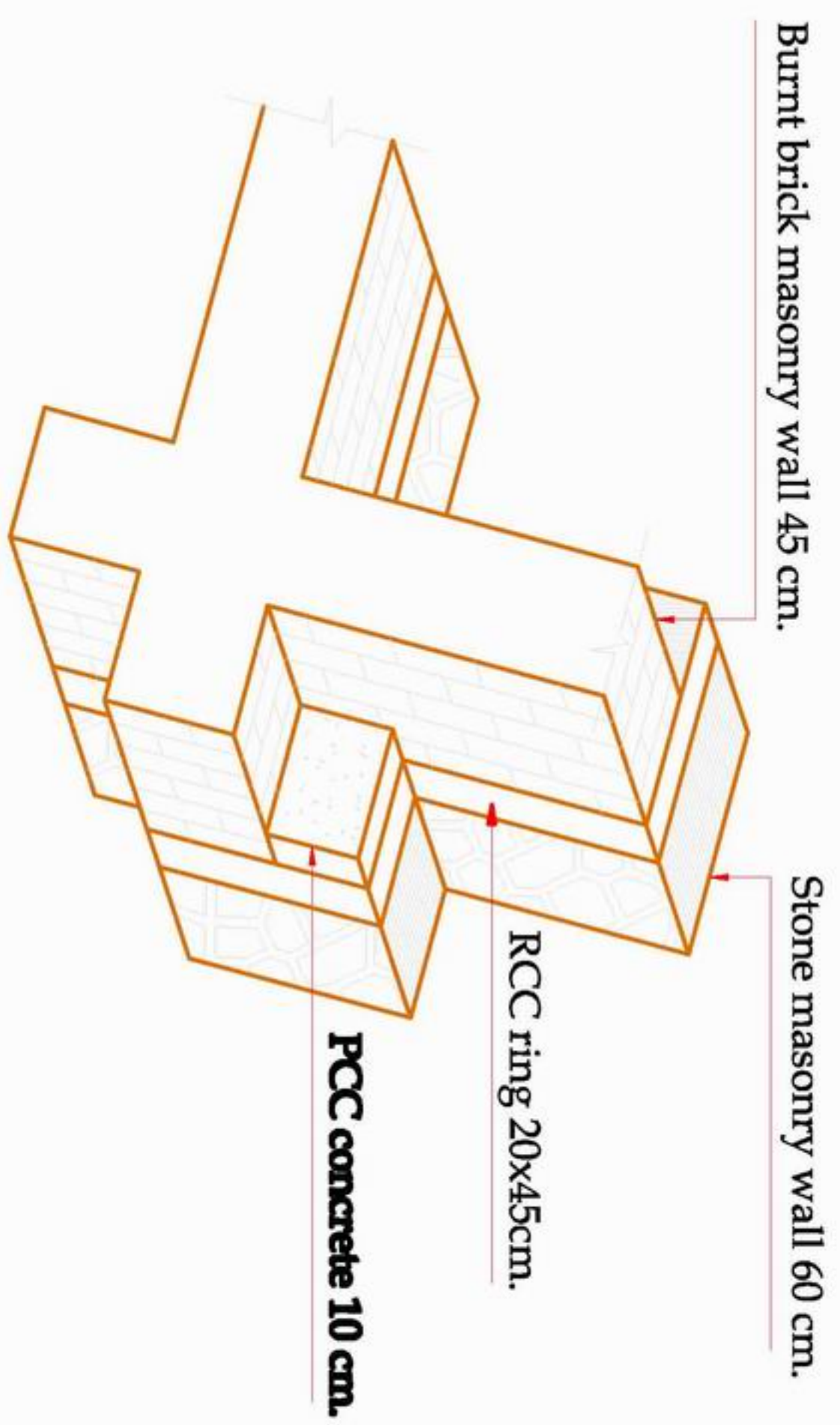


DETAIL 1



APPROVED/DATE	APPROVED/DATE	APPROVED/DATE	APPROVED/DATE
CHECKED BY	BRG. BELVAZAT	SCALE	AS SHOWN (A3)
TRCE. APPROVED BY	ENJ. ABU MAMIN MAJID	DATE	25.6.2006

PROJECT NAME	3 CLASS ROOM SUNDRIED BRICK WALL WOODEN BEAM ROOF.
DRAWING TITLE	DETAIL



APPROVED BY	ALL PERIOD TABLE	APPROVED DATE	ENGINEER YONIS YOUSSEF	DRAWING NO.	5
CHECKED BY	ENGR. OBI BAKZAI	SCALE	AS SHOWN (AS)	SHEET NO.	7
TECH. APPROVED BY	ENGR. ABU MAMUN MAJID	DATE	25.6.2006		

PROJECT NAME	3 CLASS ROOM SUN DRIED BRICK WALL WOODEN BEAM ROOF.
DRAWING TITLE	DETAIL



MINISTRY OF EDUCATION
DEPARTMENT OF CONSTRUCTION



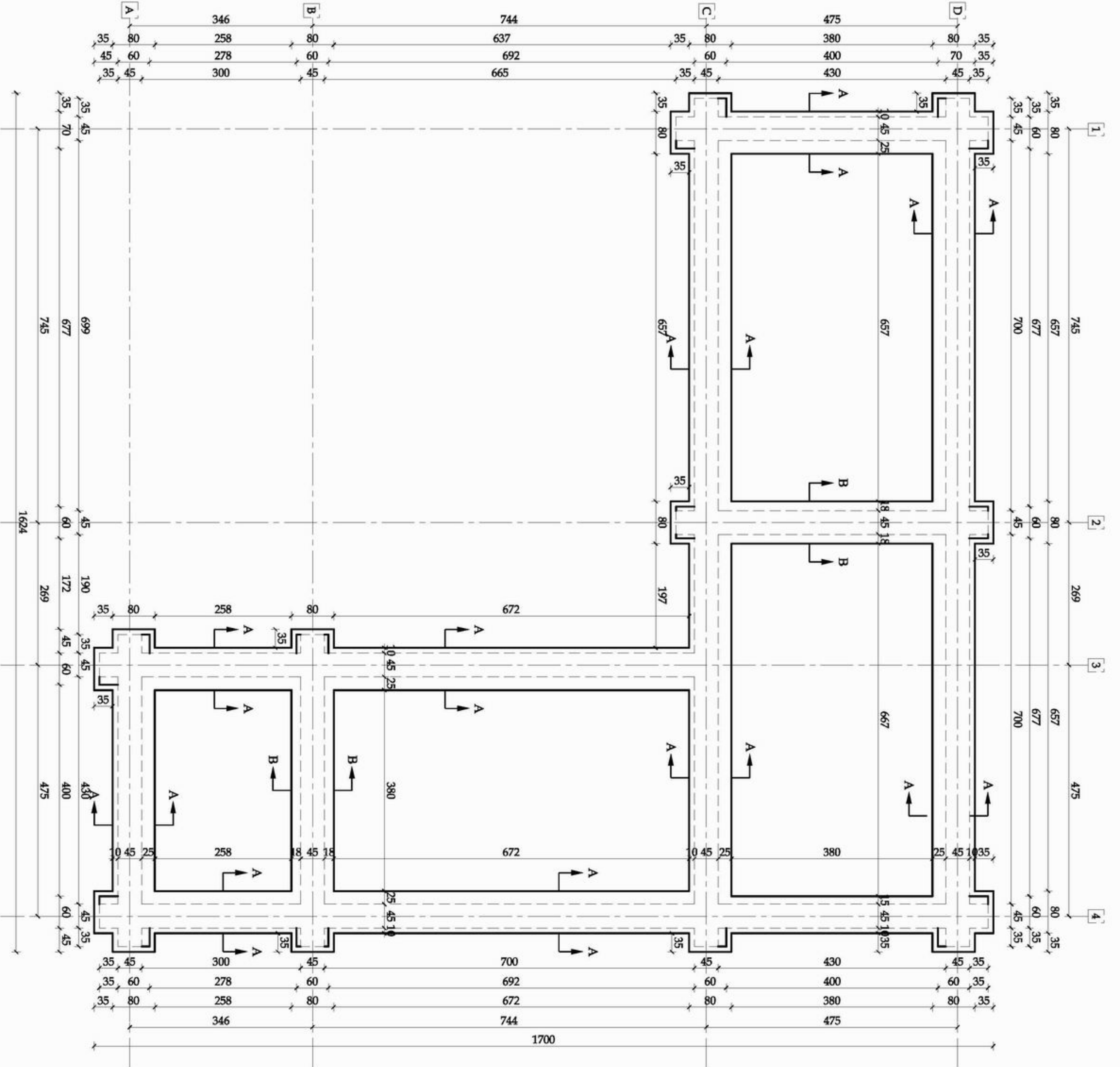
STANDARD SCHOOL DESIGN
IN AFGHANISTAN

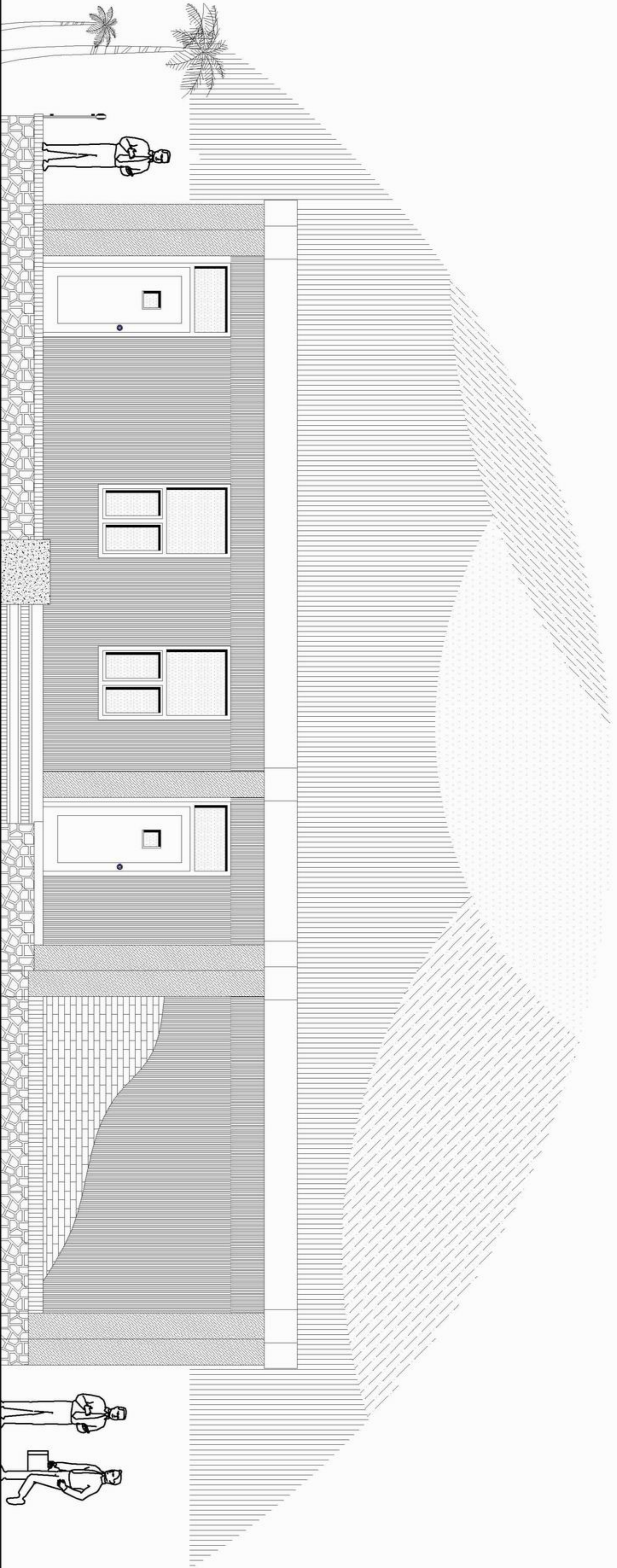
APPROVED BY	AL. FERQZ TAIBRY	APPROVED DATE	ENG. MOH. YONUS YOUSSEFI
CHECKED BY	ENG. GH. MAZAT	SCALE	AS SHOWN (AS)
TECH. APPROVED BY	ENG. A. MATIN NADEL	DATE	23.6.2006

DRAWING No	4
SHEET No	7

PROJECT NAME
DRAWING TITLE

3 CLASS ROOM SUN DRIED BRICK WOODEN BEAM ROOF.
FOUNDATION PLAN





FRONTELEVATION



MINISTRY OF EDUCATION
DEPARTMENT OF CONSTRUCTION



STANDARD SCHOOL DESIGN
IN AFGHANISTAN

APPROVED BY	ALTBEOZ TAIBEV	APPROVED DATE	ENGINER YONIS YOUSSEFI	DRAWING No
CHECKED BY	ENG. OBI BAZAAT	SCALE	AS SHOWN (AS)	SHEET No
TECH. APPROVED BY	ENG. ALI MAMUN MAQOL	DATE	25.6.2016	2

2

PROJECT NAME
DRAWING TITLE

3 CLASS ROOM SUN DRIED BRICK WALL WOODEN BEAM ROOF.
FRONT ELEVATION

