



MINISTRY OF EDUCATION
DEPARTMENT OF CONSTRUCTION



STANDARD SCHOOL DESIGN
IN AFGHANISTAN

APPROVED/REVISIONS

CHECKED BY
TECH - APPROVED BY

APPROVED/DATE

SCALE

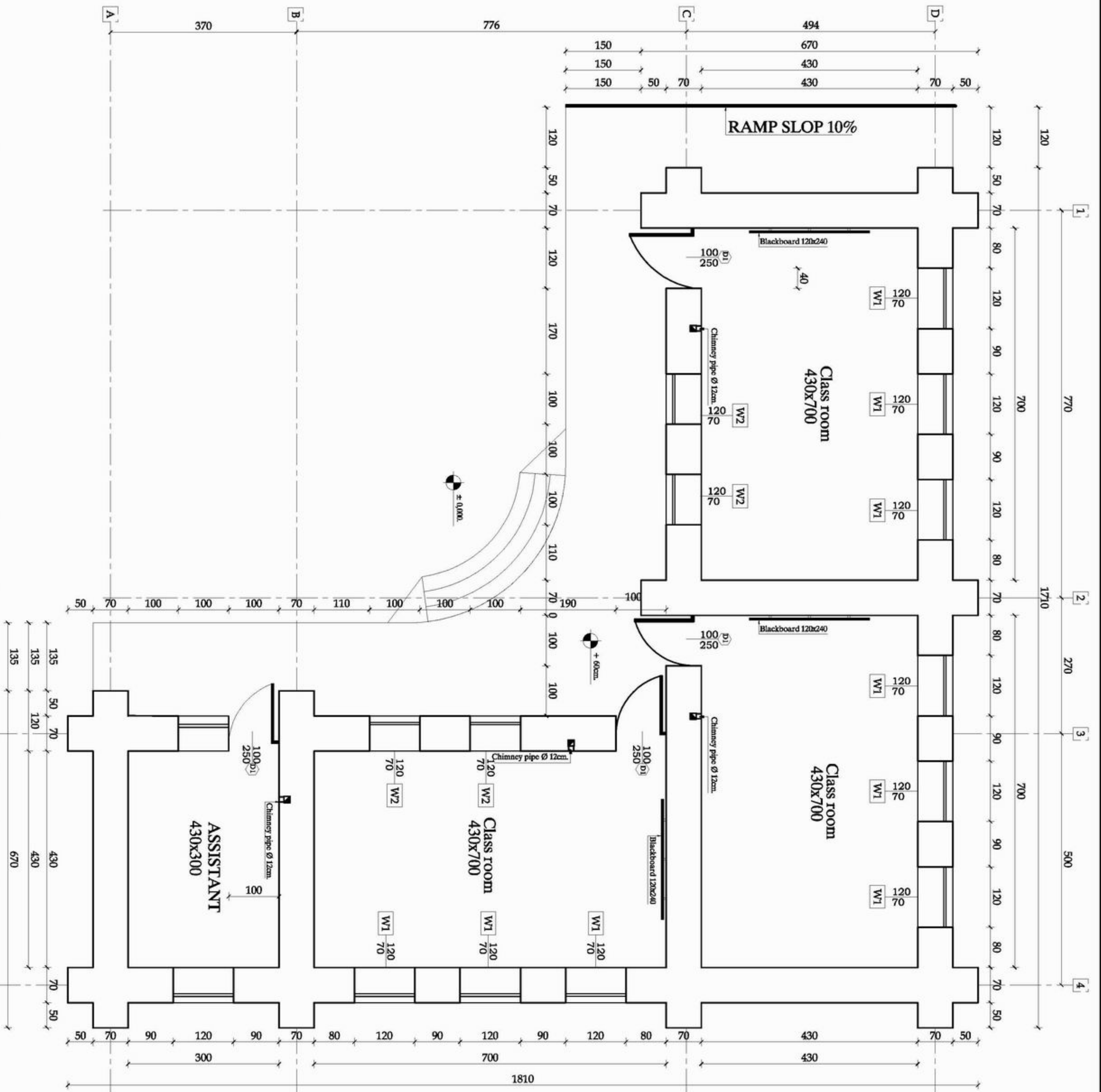
DATE

SHEET No

PROJECT NAME

DRAWING TITLE

3 CLASS ROOM MUD WALL WOODEN BEAM ROOF.
GROUND FLOOR PLAN



3 CLASS ROOM MUD WALL WOODEN BEAM ROOF.
GROUND FLOOR PLAN



MINISTRY OF EDUCATION
DEPARTMENT OF CONSTRUCTION



STANDARD SCHOOL DESIGN
IN AFGHANISTAN

CHECKED BY
TECH. APPROVED BY

APPROVED BY
ENGIN. APPROVED BY

SCALE
DATE

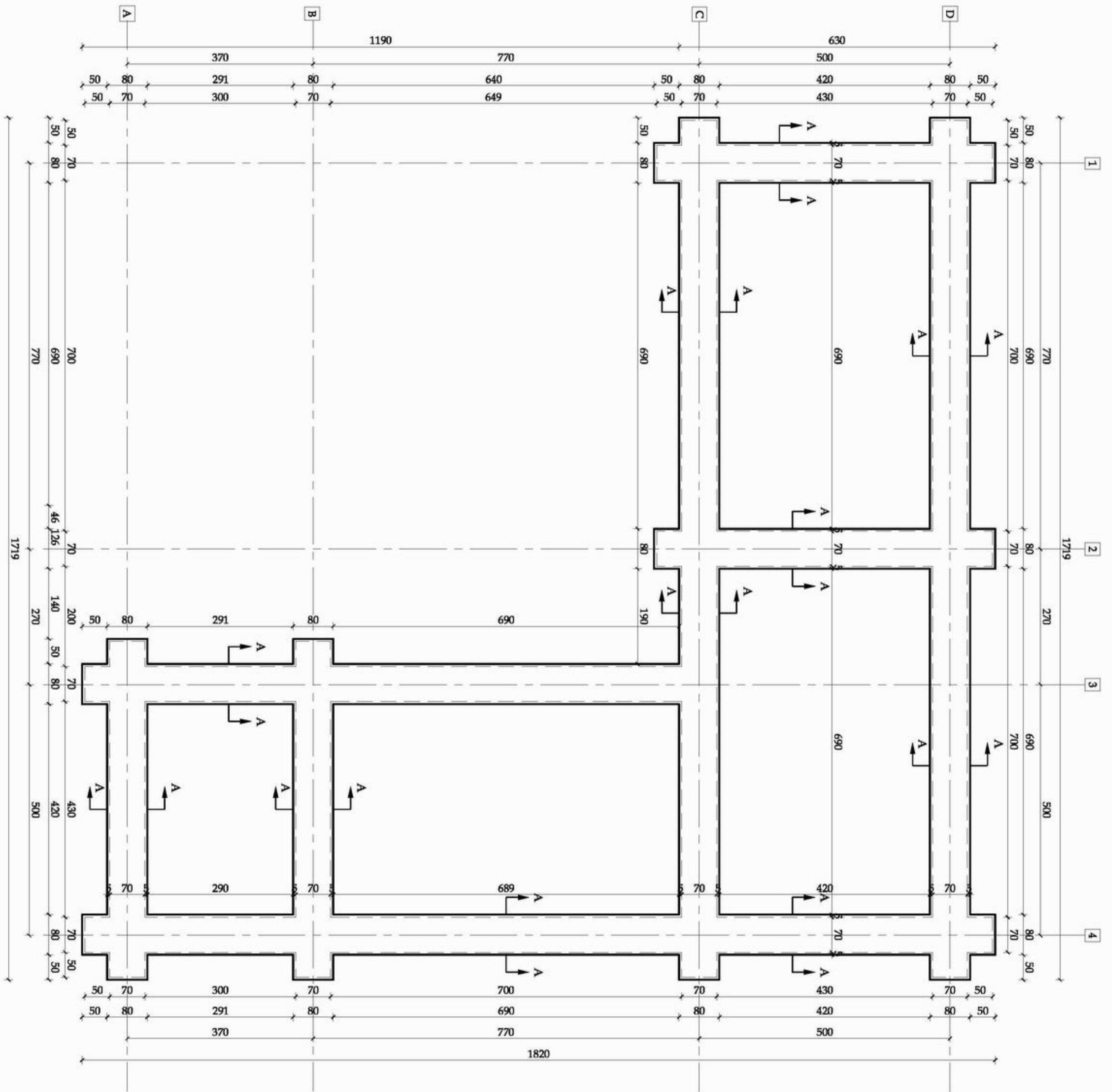
APPROVED BY
DATE

DRAWING No

4
7

PROJECT NAME
DRAWING TITLE

3 CLASS ROOM MUD WALL WOODEN BEAM ROOF.
FOUNDATION PLAN





MINISTRY OF EDUCATION
DEPARTMENT OF CONSTRUCTION

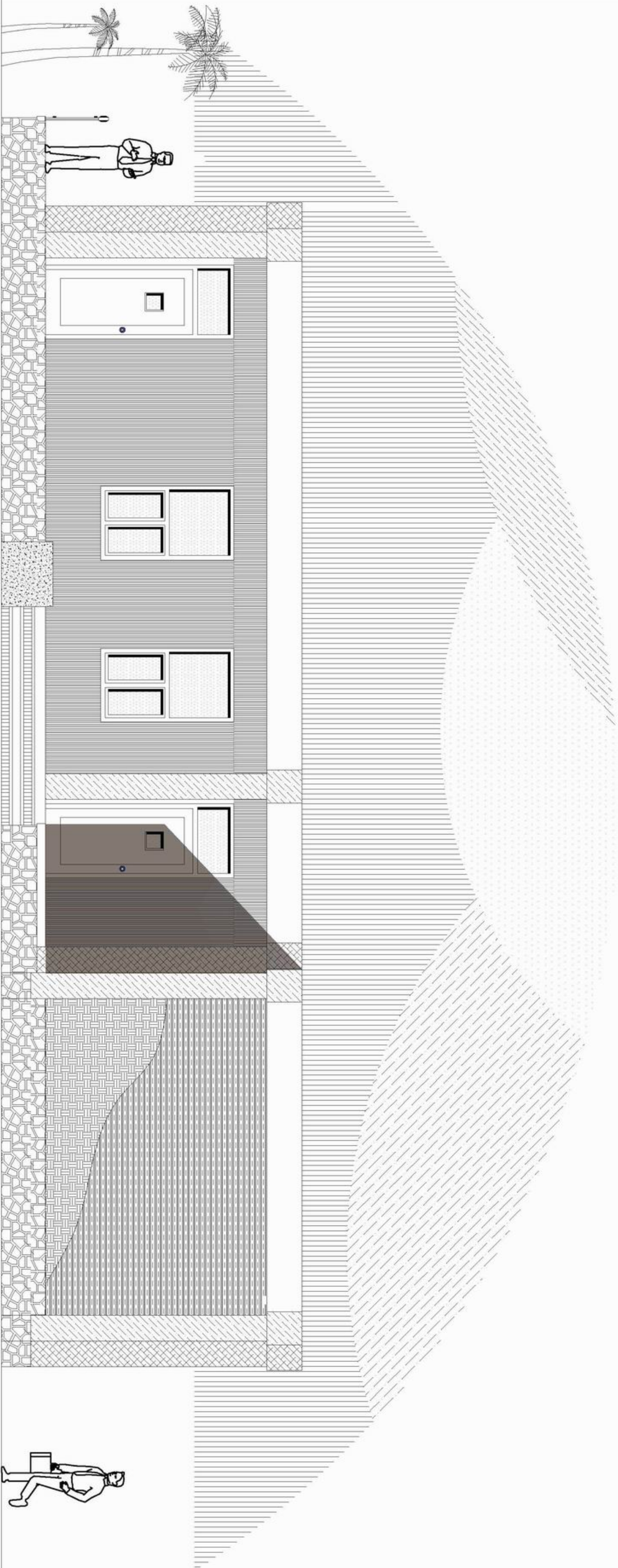


STANDARD SCHOOL DESIGN
IN AFGHANISTAN

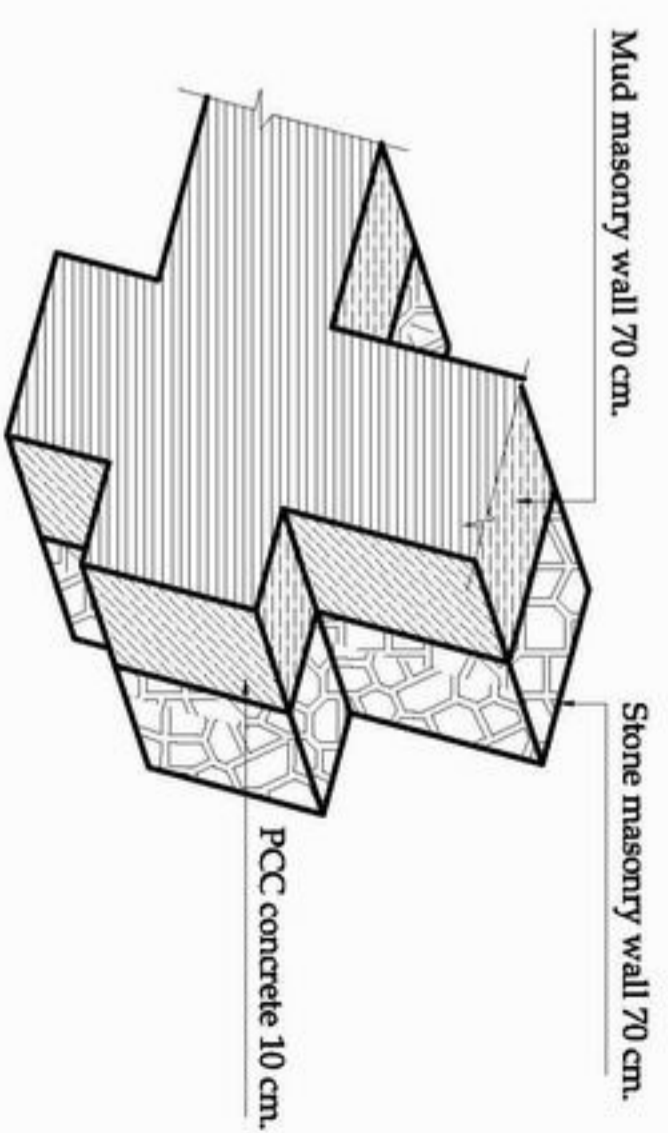
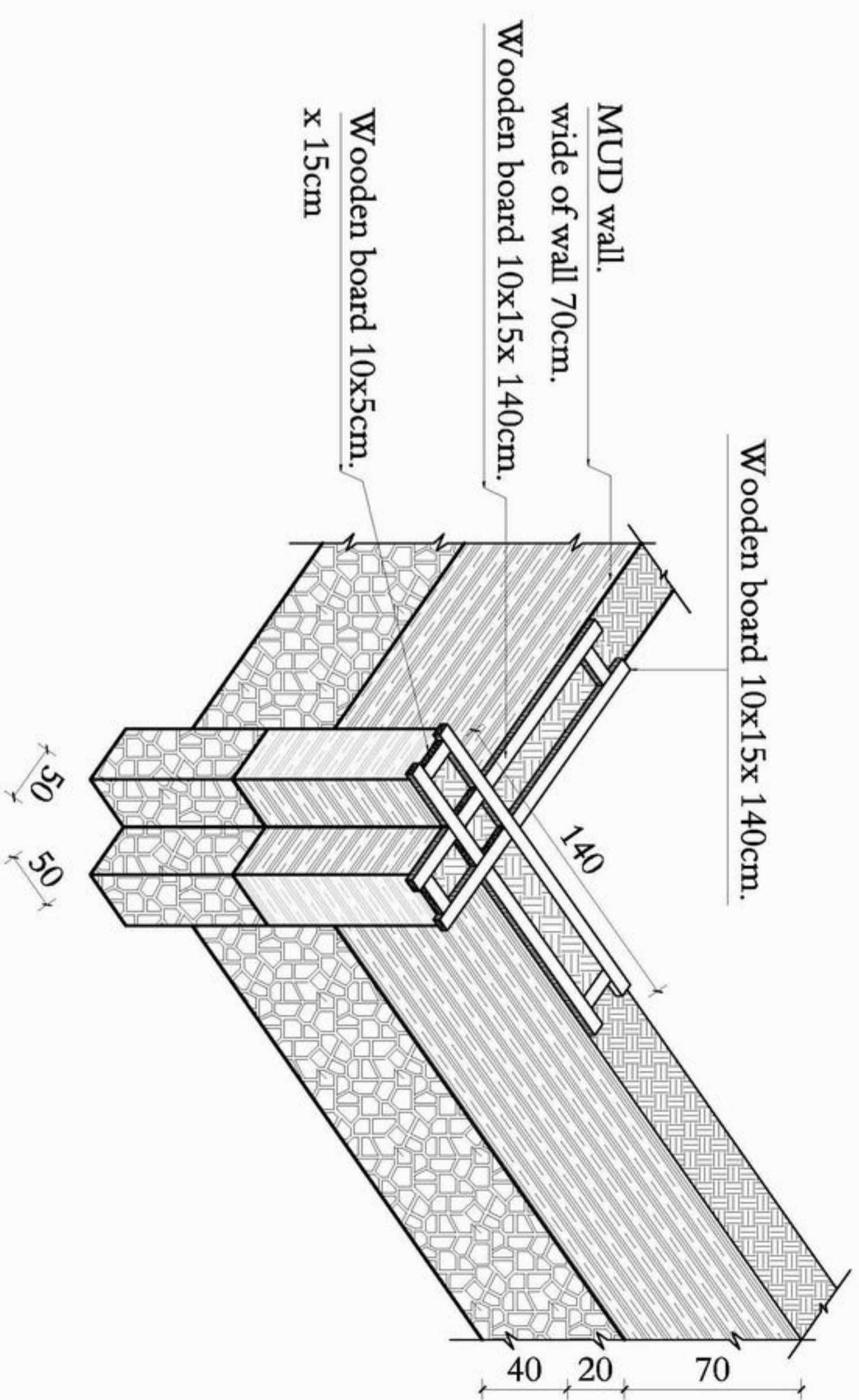
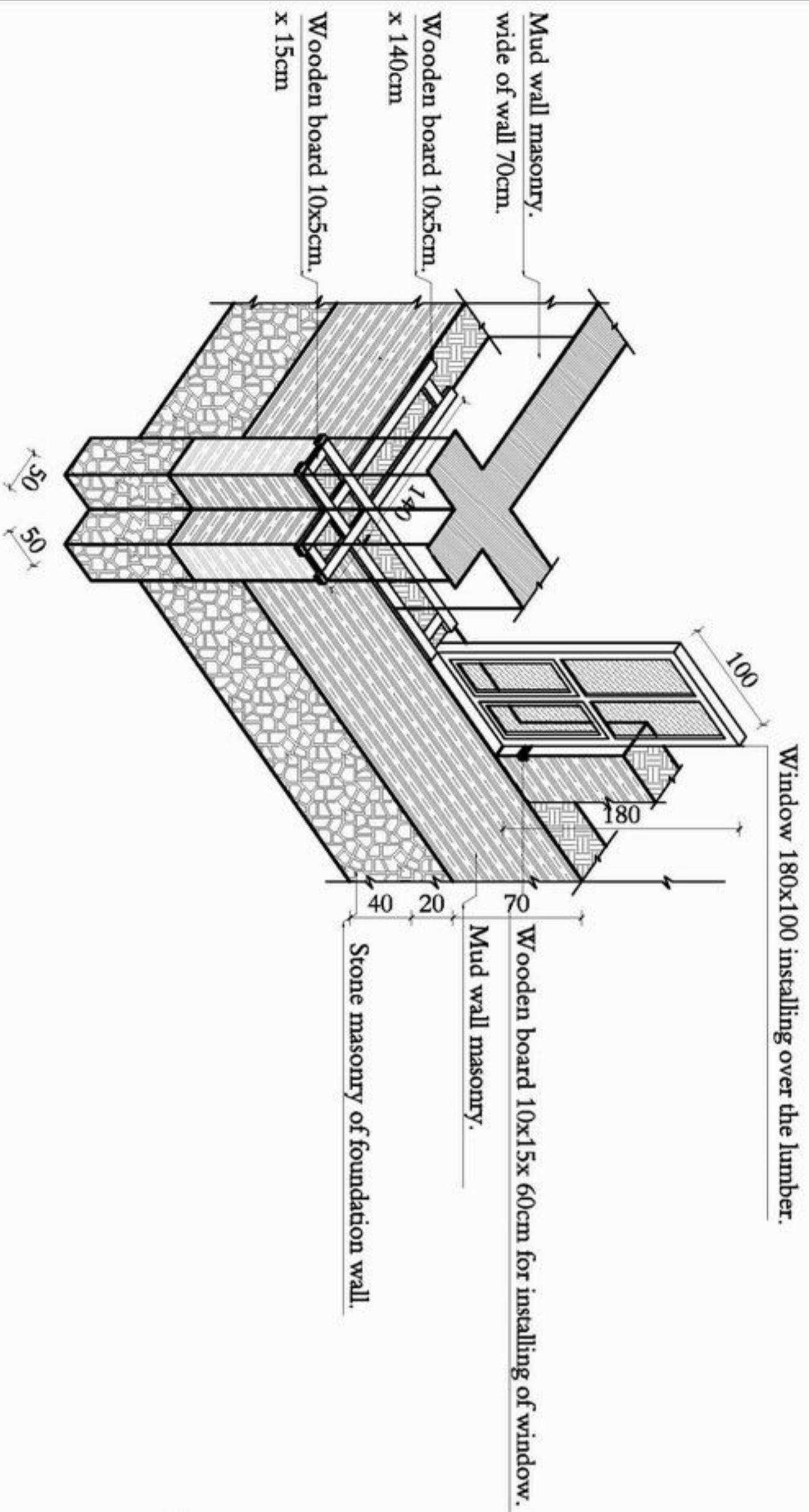
DESIGNED BY	ALTBEG ZHABEV	APPROVED BY	ING. MOH. YOUSUF VOUSIZAI	DRAWING No.	2
CHECKED BY	ING. GIBRANZAI	SCALE	SCALE AS SHOWN (AS)	SHEET No.	7
TECH. APPROVED BY	ING. ALMAMUN MAQOL	DATE	24.6.2006		

PROJECT NAME
DRAWING TITLE

3 CLASS ROOM MUD WALL BRICK WOODEN BEAM ROOF.
FRONT ELEVATION



FRONT ELEVATION



DETAIL ISOMETRIC FROM CORNAR JUNCTION 5 *

DETAIL ISOMETRIC FROM CORNAR JUNCTION 5 *



MINISTRY OF EDUCATION
DEPARTMENT OF CONSTRUCTION



STANDARD SCHOOL DESIGN
IN AFGHANISTAN

DESIGNED BY	ALFARAZ TAHERI	APPROVED BY/NO	ENG. AMR. THABER YOUSSEF
CHECKED BY	ENG. SA. MUKHTAR	SCALE	AS SHOWN (AS)
DATE	25.12.2008	DATE	25.12.2008

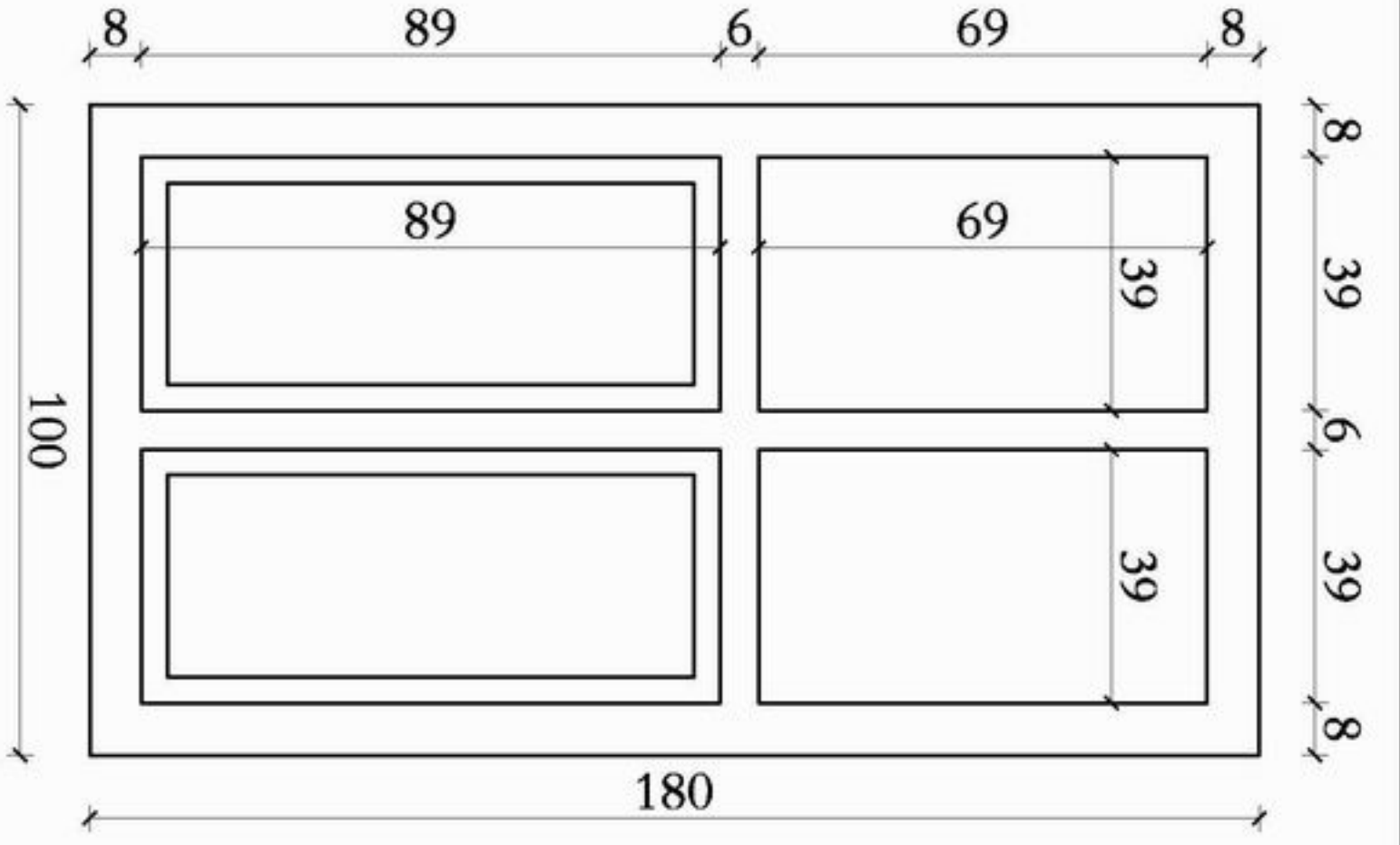
TESTED / APPROVED BY	ENG. SA. MUKHTAR
----------------------	------------------

NO. OF SHEETS	9
---------------	---

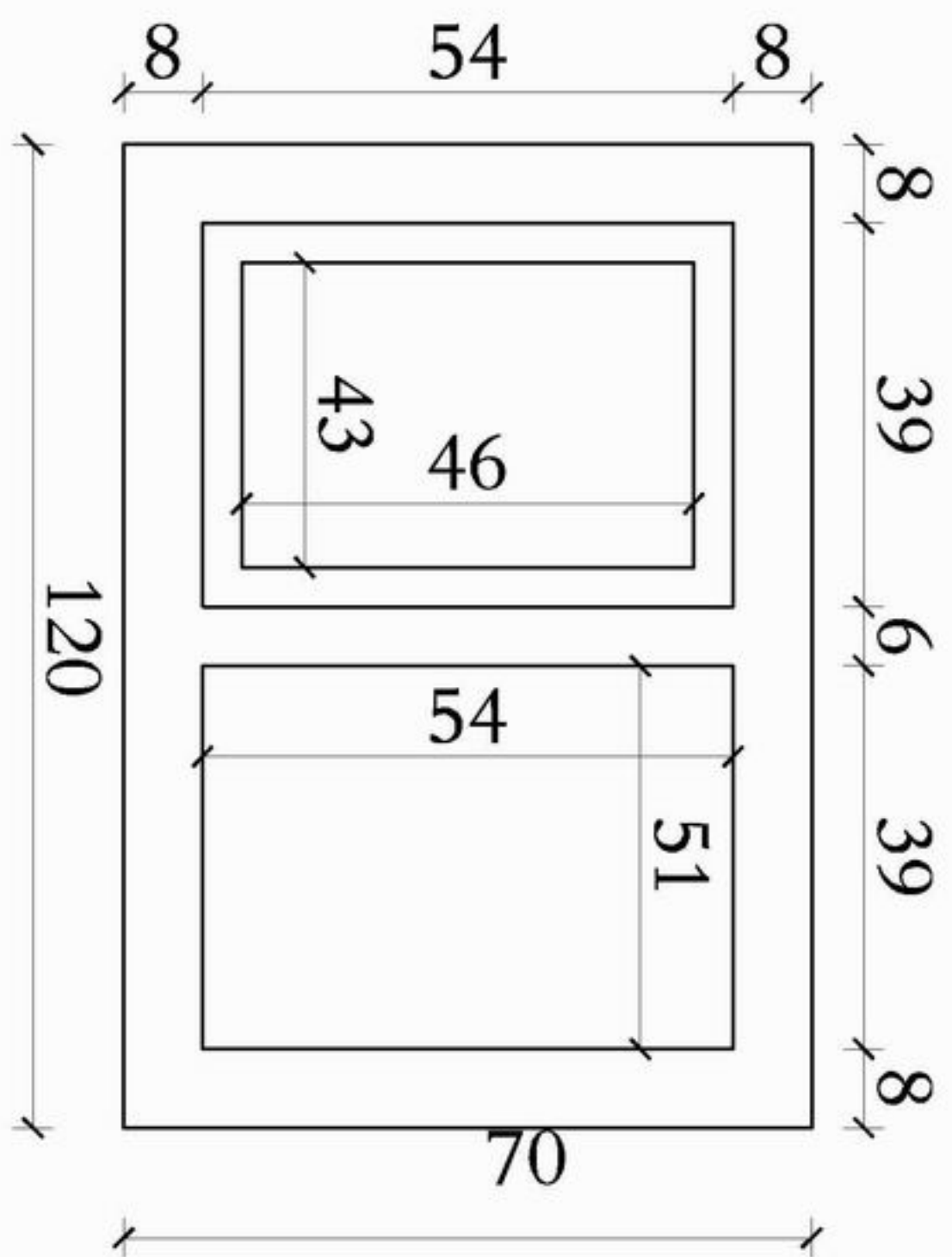
PROJECT NAME
DRAWING TITLE

3 CLASS ROOM MUDWALL WOODEN BEAM ROOF.
DETAILS

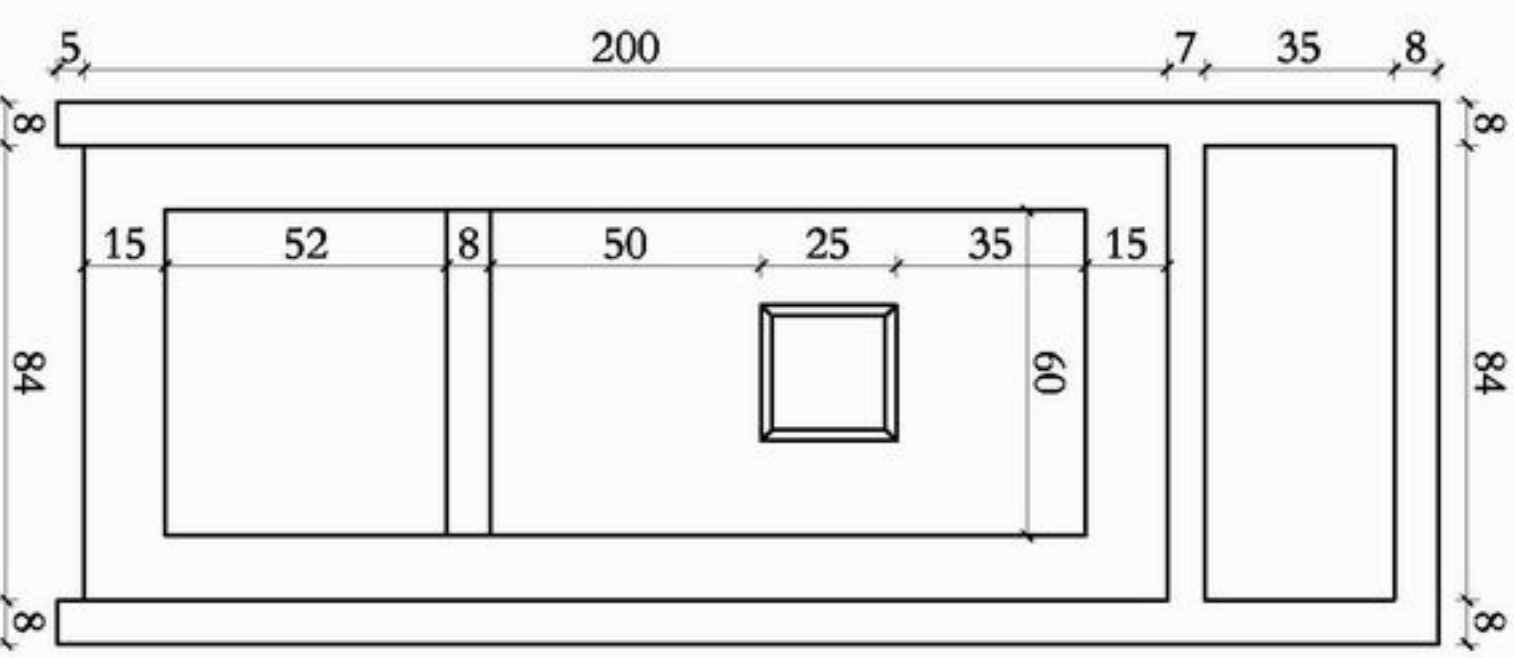
WINDOW 1^o N-5



WINDOW 2^o N-10



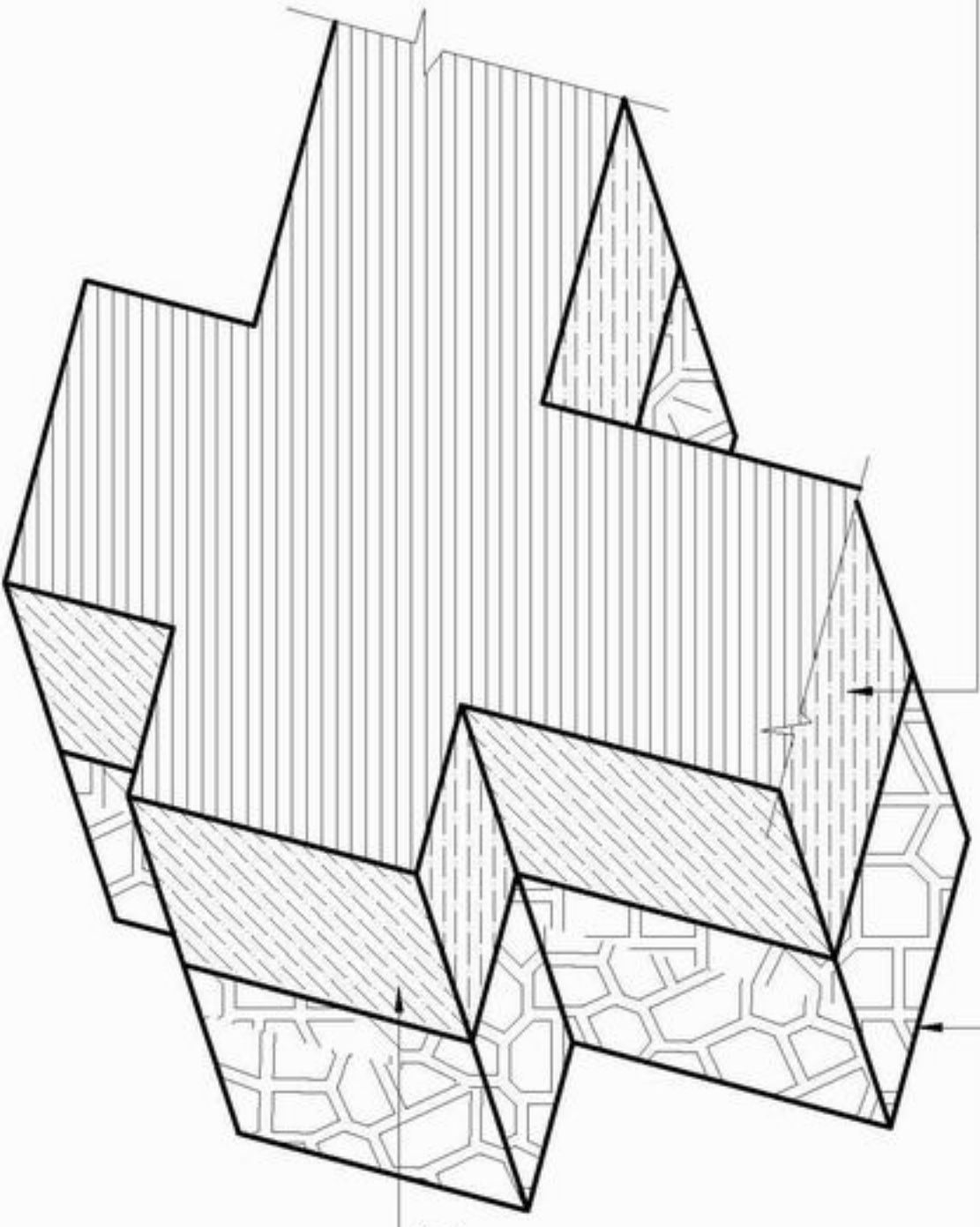
DOOR 1^o N-4



Mud masonry wall 70 cm.

Stone masonry wall 70 cm.

PCC concrete 10 cm.



MINISTRY OF EDUCATION
DEPARTMENT OF CONSTRUCTION



STATE SCHOOL DESIGN
IN AFGHANISTAN

DESIGNED BY	ALIREZA TALIBI	APPROVED BY/DATE	ENG. MOUSTAFA YOUSSEFI	NUMBER OF
CHECKED BY	ENG. AHMADZAI	SCALE	AS SHOWN (X=1)	SHEET NO.
TECH. APPROVED BY	ENG. AHMADZAI	DATE	25.12.2008	1

PROJECT NAME

3 CLASS ROOM MUD WALL WOODEN BEAM ROOF.
DRAWING TITLE
DETAILS