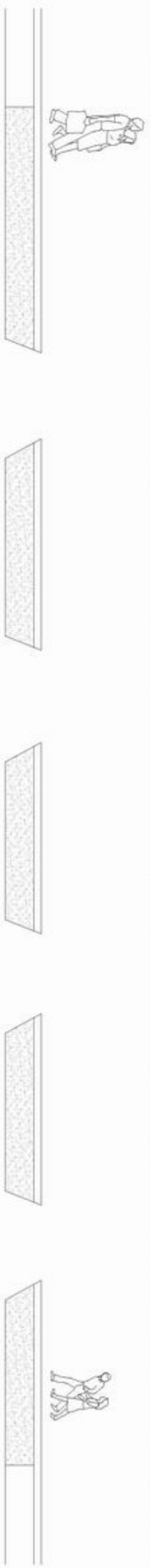


Front Elevation



MINISTRY OF EDUCATION
DEPARTMENT OF CONSTRUCTION

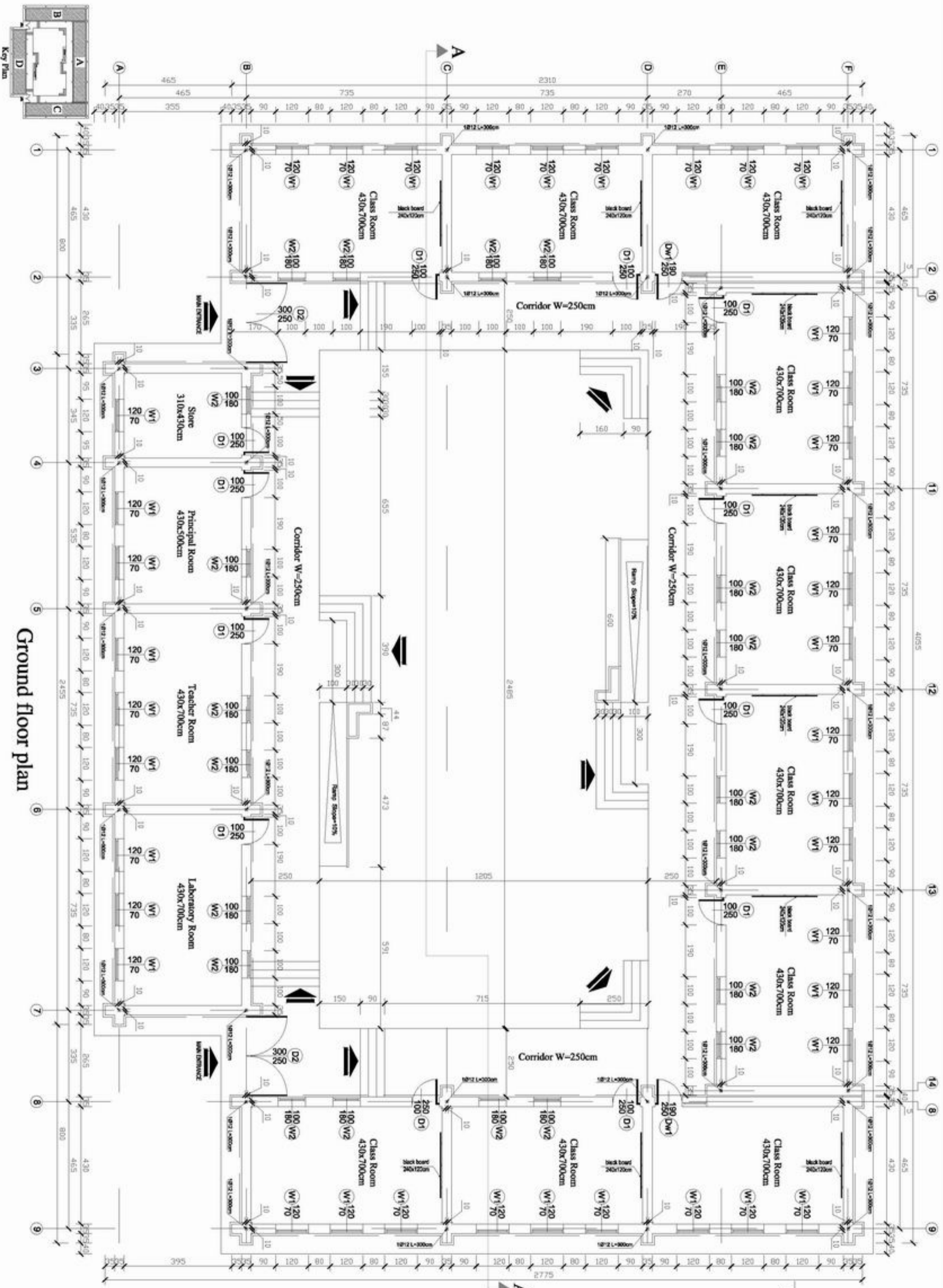


STANDARD SCHOOL DESIGN
IN AFGHANISTAN

ARCHITECT/DRAWER	Ziaurrahman Zia	APPROVED/DATE	
CHECKED BY	ENGINER/MAJID	SCALE	As shown (A3)
TECH. APPROVED BY	ENGLAJMARTIN-VAJOUZ	DATE	24.09.2006

DRAWING No	1
SHEET No	10

PROJECT NAME	10CLASS ROOM-Burnt Brick-I-beam
DRAWING TITLE	FRONT ELEVATION



Ground floor plan



MINISTRY OF EDUCATION
DEPARTMENT OF CONSTRUCTION

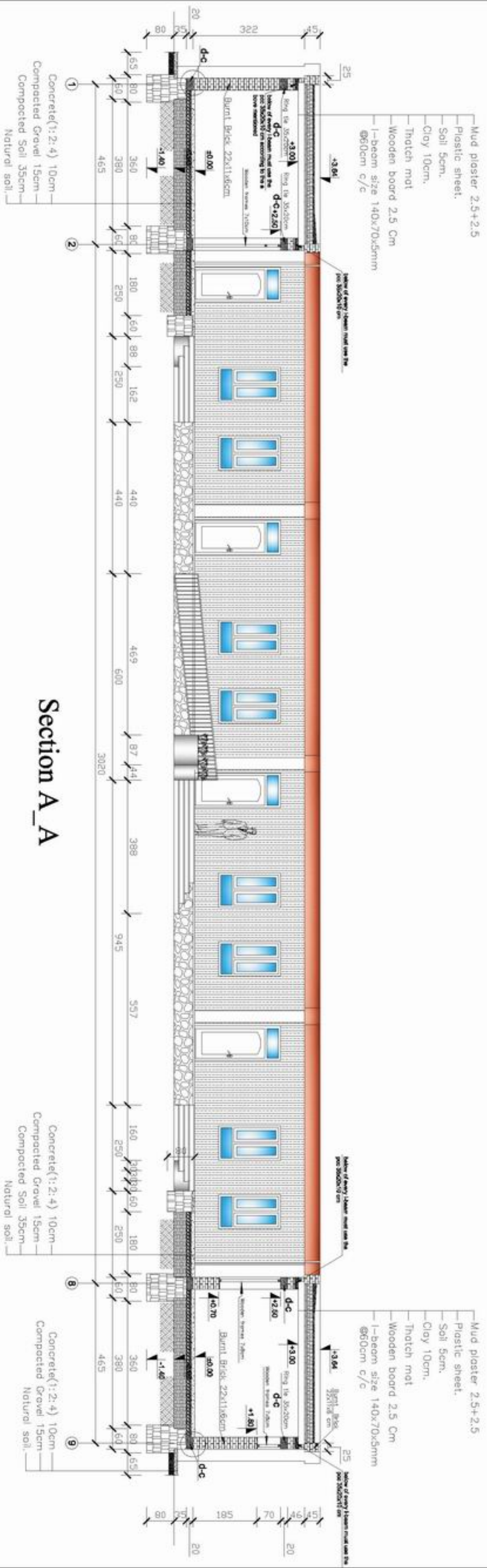


STANDARD SCHOOL DESIGN
IN AFGHANISTAN

ARCHITECT/DRAWN	Zisaurahman Zia	APPROVED BY	
CHECKED BY	ENR GIBALZAI	SCALE	As shown (A3)
TECH. APPROVED BY	ENG. AB BAKHTIYAROV	DATE	24.09.2006

DRAWING No	2
SHEET No	10

PROJECT NAME: 10CLASS ROOM-Burnt Brick-I-beam
DRAWING TITLE: GROUND FLOOR PLAN



Section A_A



MINISTRY OF EDUCATION
DEPARTMENT OF CONSTRUCTION

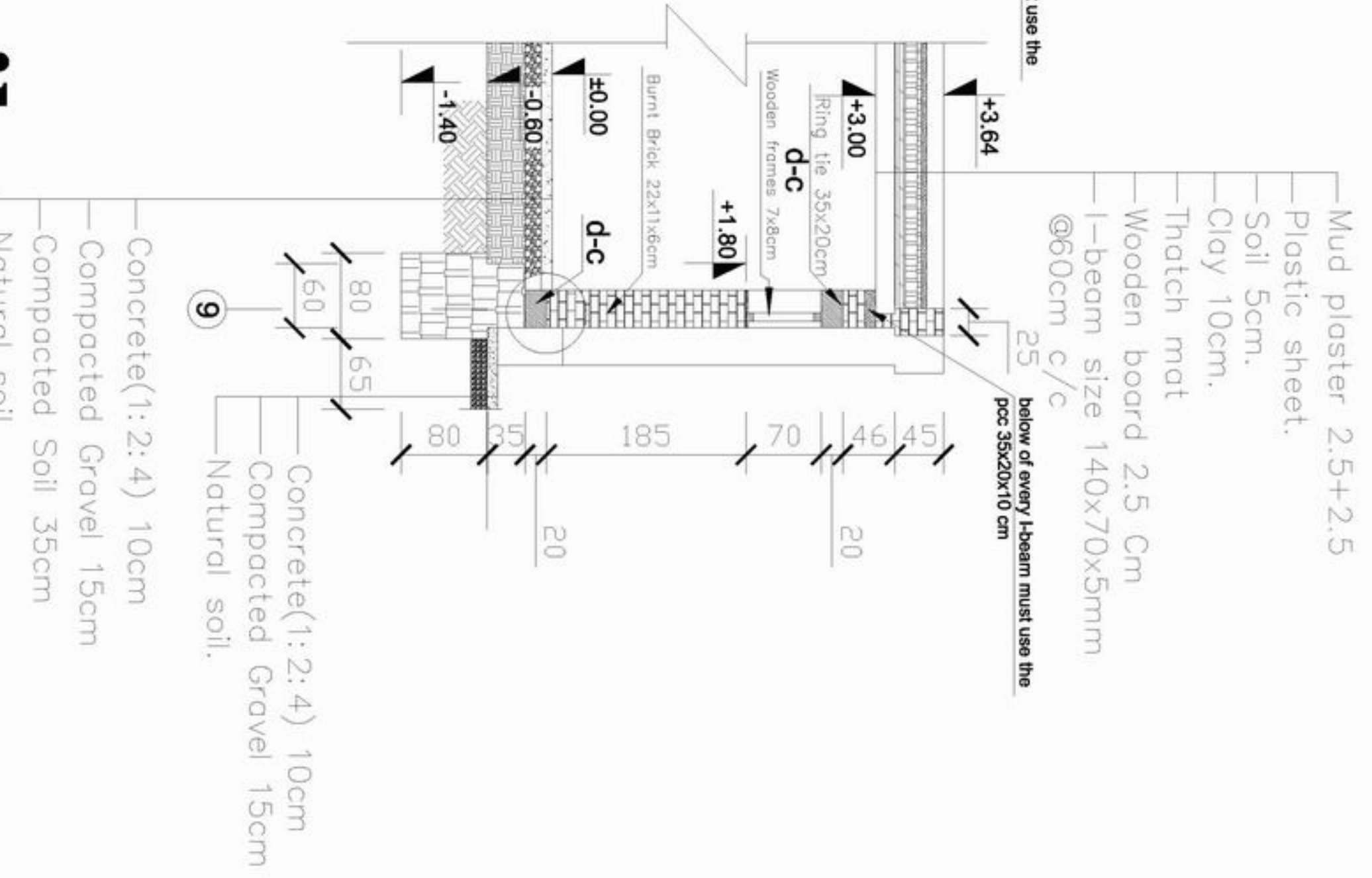
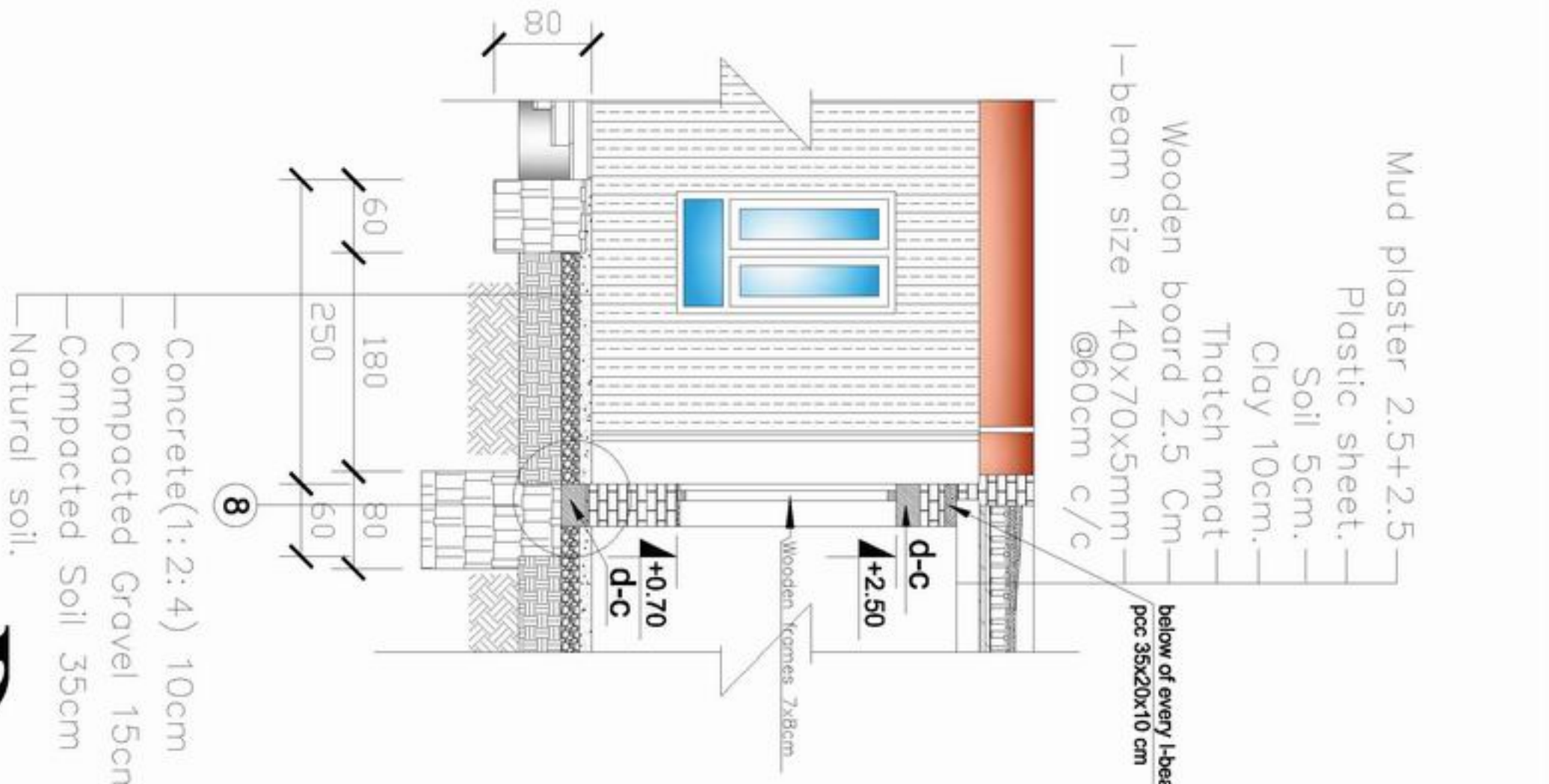


STANDARD SCHOOL DESIGN
IN AFGHANISTAN

ARCHITECT/DESIGNER	Zisrahtnhan zia	APPROVED/DATE	
CHECKED BY	ENGR. DR. NAZAF	SCALE	As shown (A3)
TECH. APPROVED BY	ENGR. ALI MATIN NAJAFI	DATE	24.09.2006
DRAWING No		SHEET No	

4
10

PROJECT NAME: 10CLASS ROOM-Burnt Brick-I-beam
DRAWING TITLE: SECTION A_A



Details



MINISTRY OF EDUCATION
DEPARTMENT OF CONSTRUCTION



STANDARD SCHOOL DESIGN
IN AFGHANISTAN

ARCHITECT/DRAWN	Ziaurrahman Zia	APPROVED/Date/Scale	As shown (A3)
CHECKED BY	ENG. GH. KHAZAF	SCALE	
TECH. APPROVED BY	ENG. ALI MAJID VAGHEL	DATE	24.09.2006

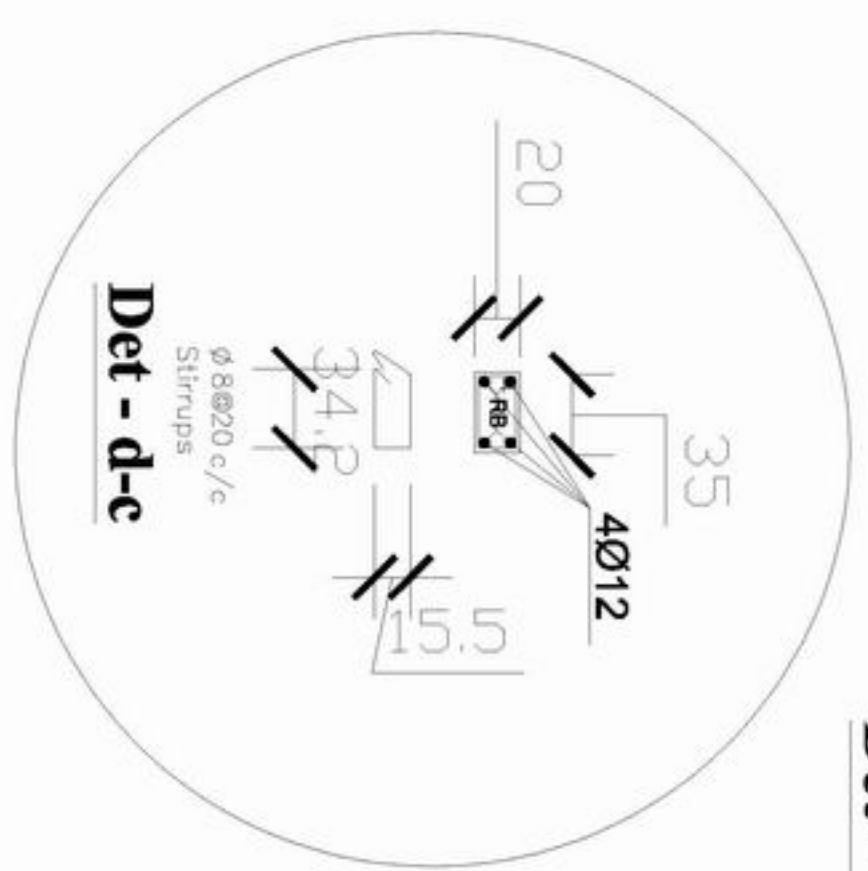
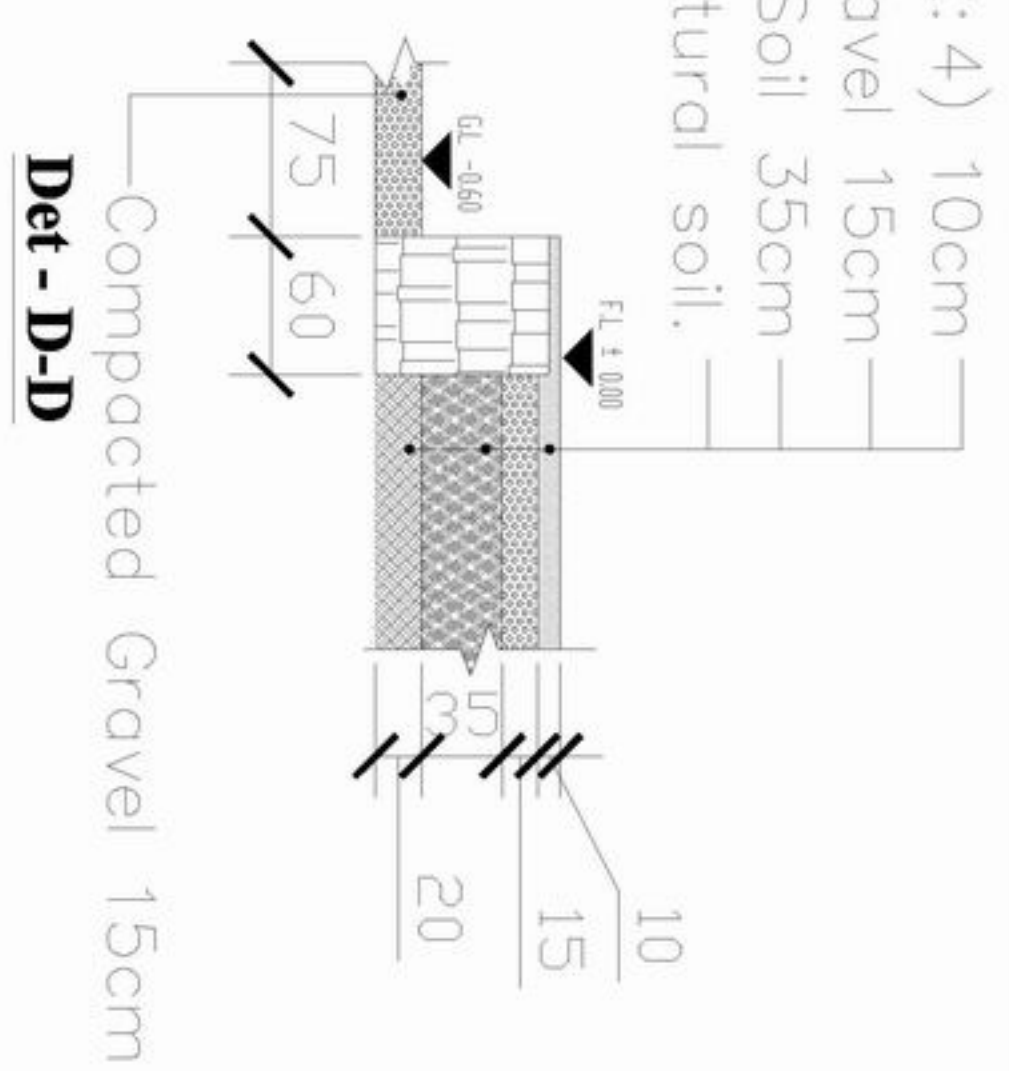
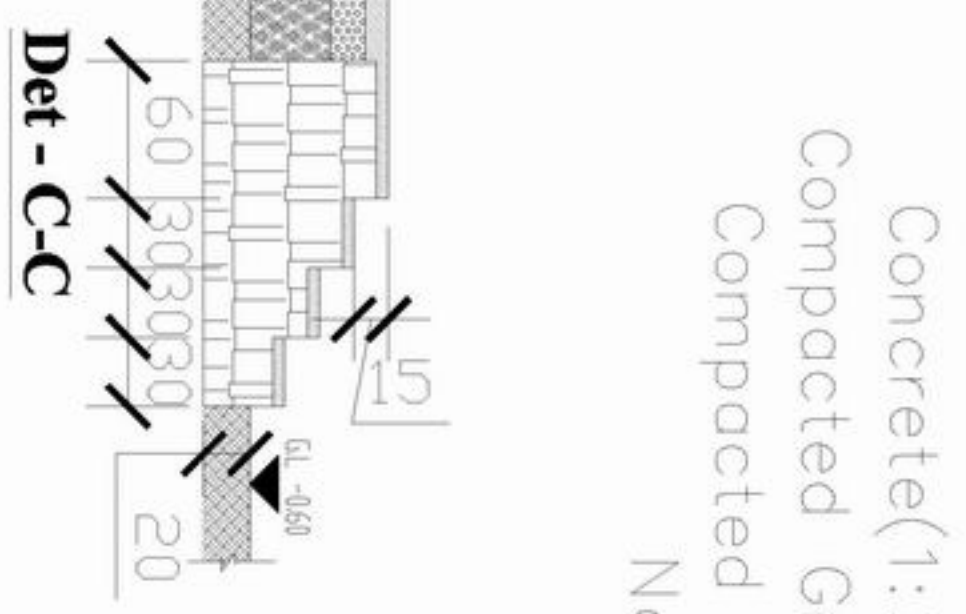
DRAWING No	6
SHEET No	10

PROJECT NAME	10CLASS ROOM-Burnt Brick-l-beam
DRAWING TITLE	DETAILS



ARCHITECT/DRAWN	Zahiruddin zia	APPROVED/DATE	24.09.2006
CHECKED BY	ENGINER/NAZAF	SCALE	As shown (A3)
TECH. APPROVED BY	ENGINER/NAZAF	DATE	24.09.2006

DRAWING No	7	PROJECT NAME	10CLASS ROOM-Burnt Brick-1-beam
SHEET No	10	DRAWING TITLE	DETAILS

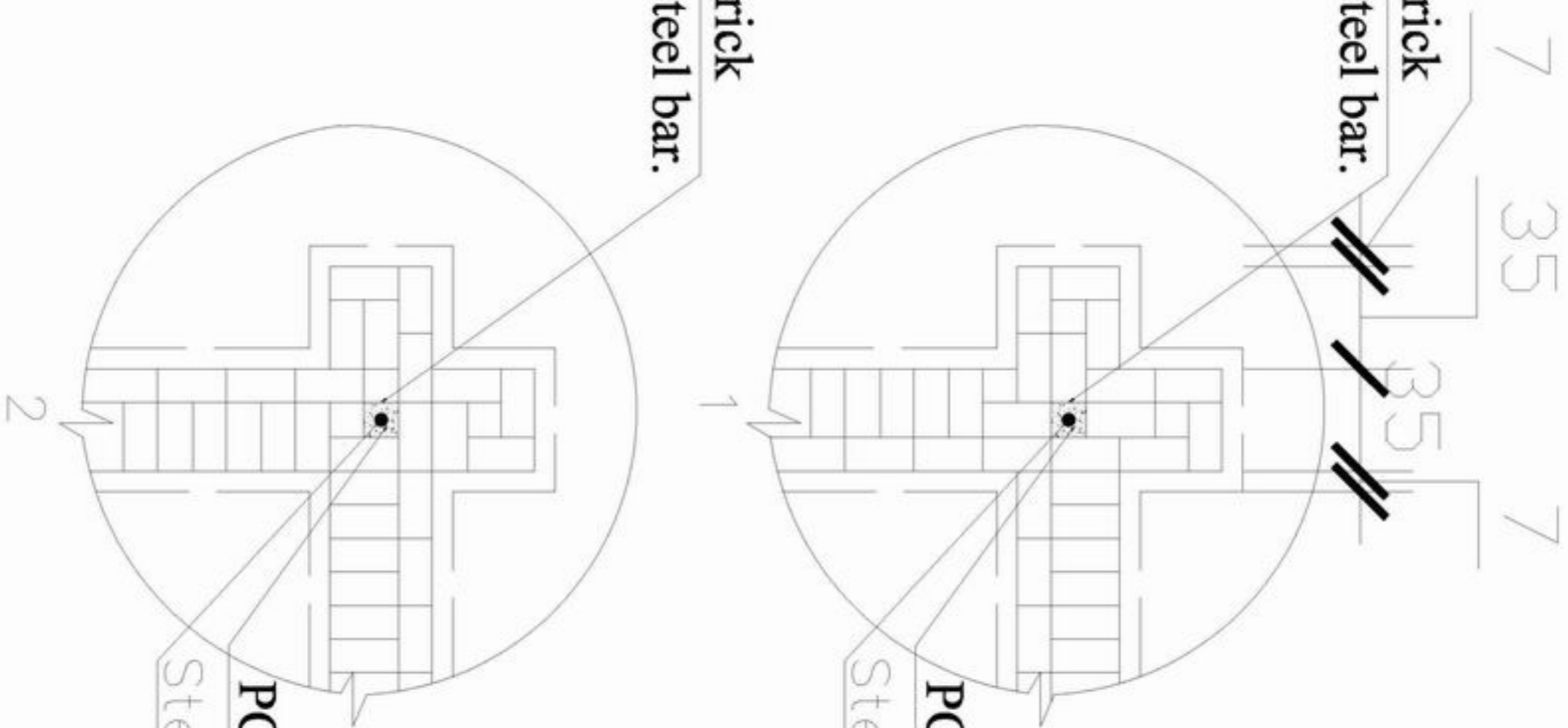


Det - B-B

Details

Junction details for one & a half brick wall for corner providing vertical steel bar.

Junction details for one & a half brick wall for corner providing vertical steel bar.

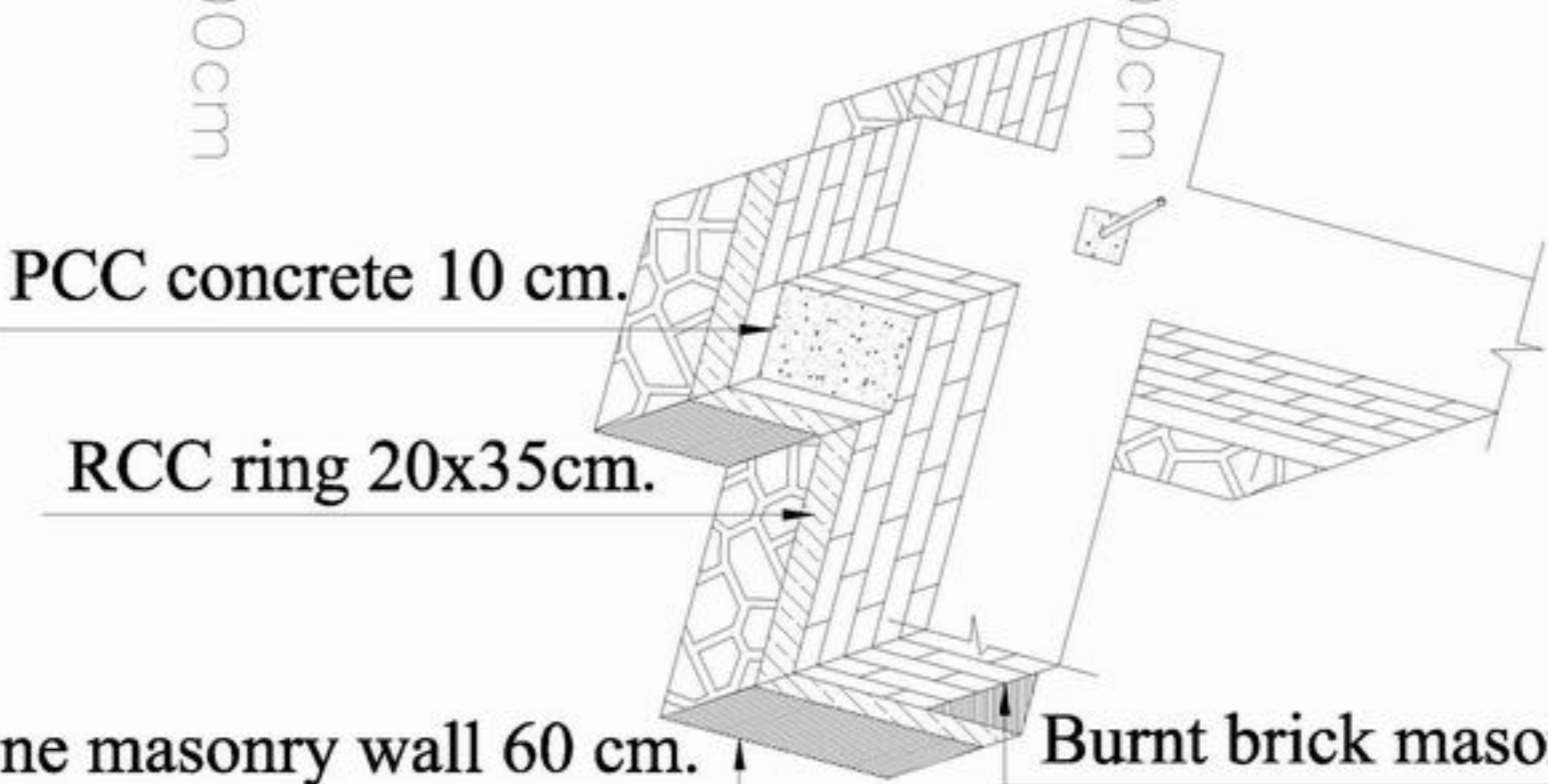


PCC concrete (1:2:4).

PCC concrete (1:2:4).

Steel bar $1\phi 12$ $L=300$ cm

Steel bar $1\phi 12$ $L=300$ cm



PCC concrete 10 cm.

RCC ring 20x35cm.

Stone masonry wall 60 cm.

Burnt brick masonry wall 35 cm.

Details



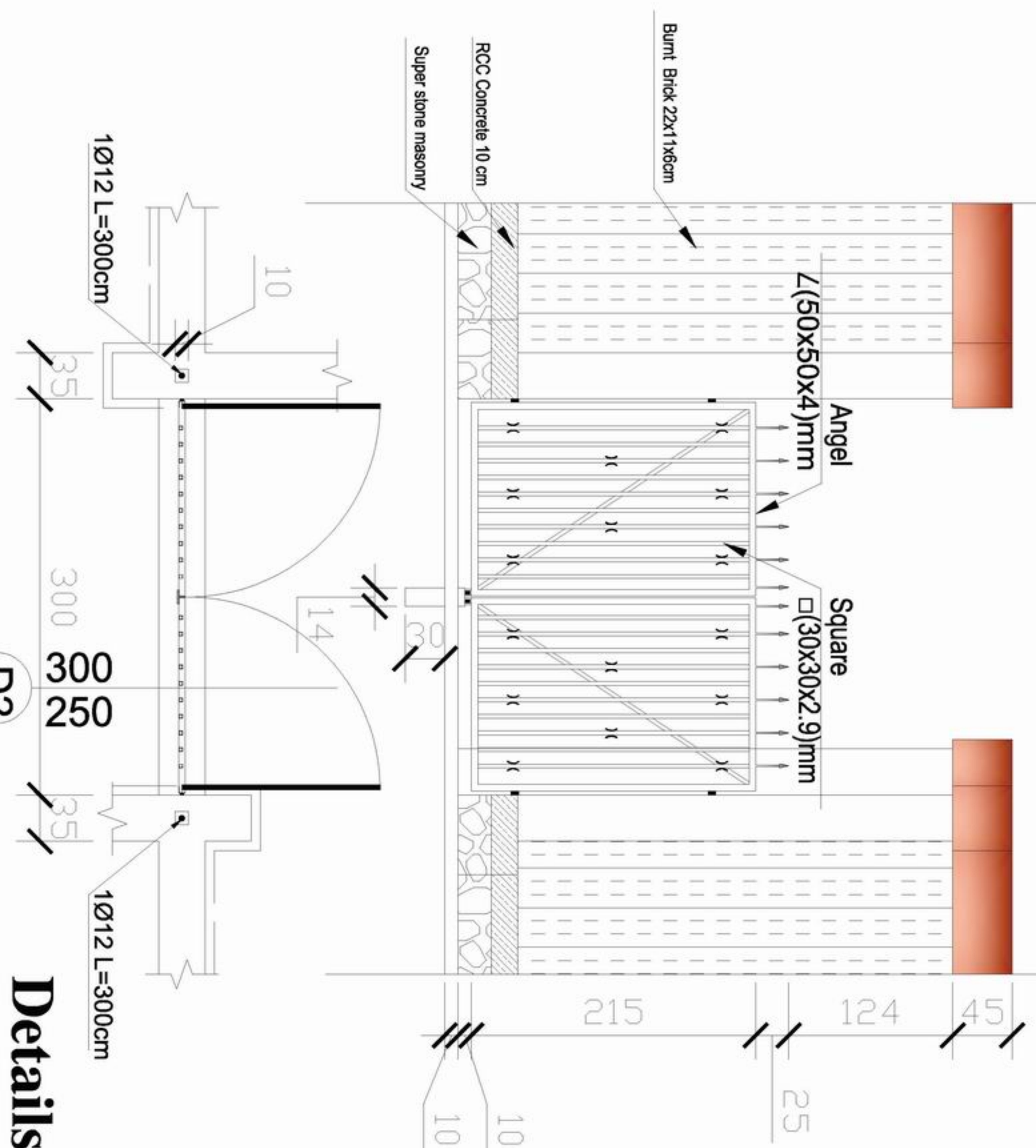
MINISTRY OF EDUCATION
DEPARTMENT OF CONSTRUCTION



STANDARD SCHOOL DESIGN
IN AFGHANISTAN

ARCHITECT/DESIGNER	Ziaurrahman zia	APPROVED/DATE	24/09/2006
CHECKED BY	ENGINER/MAZAR	SCALE	As shown (A3)
TECH. APPROVED BY	ENGLA/MALIK/VAJID	DATE	24/09/2006
DRAWING No	8	SHEET No	10

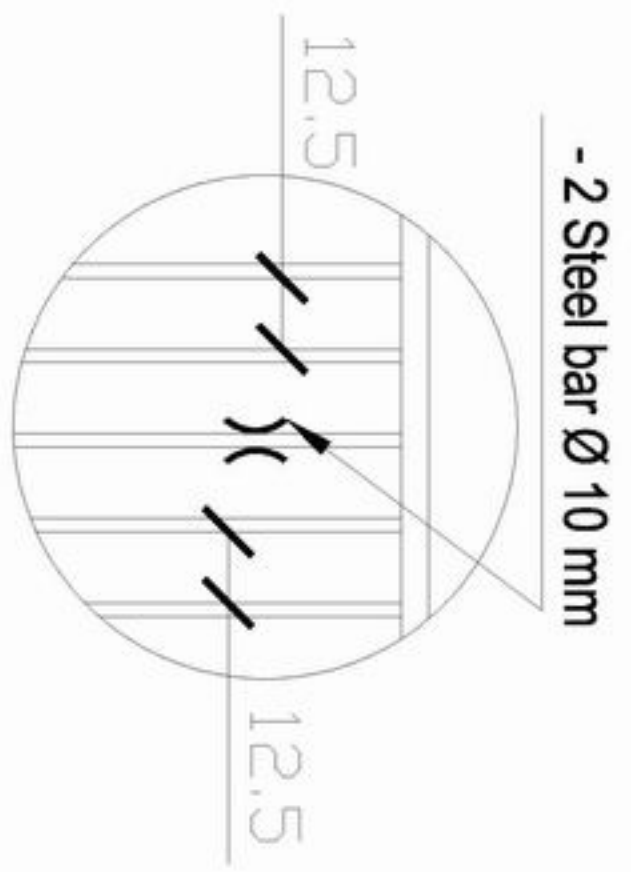
PROJECT NAME	10CLASS ROOM-Burnt Brick-I-beam
DRAWING TITLE	DETAILS



D2

Details

N=2



- 2 Steel bar Ø 10 mm

L(50x50x4)mm
Angel

Square
□(30x30x2.9)mm



MINISTRY OF EDUCATION
DEPARTMENT OF CONSTRUCTION



STANDARD SCHOOL DESIGN
IN AFGHANISTAN

ARCHITECT/DRAWN	Zahiruddin zia	APPROVED BY	Asadullah (AS)
CHECKED BY	ENGINER NAZAF	SCALE	1:10
TYPE-APPROVED BY	ENGINER NAZAF NAZAF	DATE	24.09.2006

DRAWING No	9
SHEET No	10

PROJECT NAME	10CLASS ROOM-Burnt Brick-I-beam
DRAWING TITLE	DETAILS

